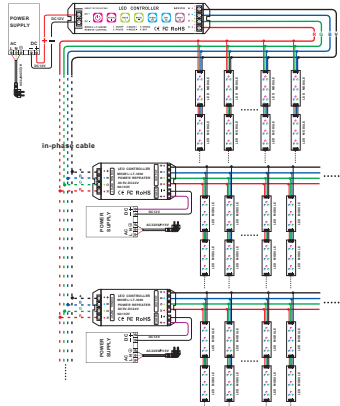


5. Conjunction diagram, working with 3060 power amplifier
(Connected to LED module as an example)



6. Attention:

1. This product is non-waterproof, please avoid the sun and rain. Put it in a waterproof box if install outdoor.
2. The condition of radiation will affect the working life of controller, please install the product in a good radiation condition.
3. Please check if the output voltage of the LED power supply comply with the voltage range of the product.
4. This product is a high current device, please ensure a solid connection in order to avoid poor contact to damage parts and trigger fires.
5. Ensure all wire connection are correct before power debugging, which is to avoid lamps to be burnt because of wrong connection.
6. All the switching power supply must be well grounded, so as not to affect the working life of LED.
7. Please do not maintain it by yourself if any fault, please contact your supplier if any question.

7. After-sale service:

This product is 1 year free warranty, lifelong technical maintenance. The warranty excludes improper connection to power supply, overload working, etc. Human damages and force majeure factors.

Repair or replacement as provided under this warranty is the exclusive remedy of the customer. We shall not be liable for any incidental or consequential damages for breach of any stipulation in this warranty.

This manual is only apply to this model, any update is subject to change without prior notice.

**LT-3600RF
LED RGB Controller**



USER MANUAL

LT-3600RF multi functional LED controller is a universal RGB controller with high-performance, adopted the most advanced PWM control technology. It's dedicated to control overall RGB color changes of LED lights with 4-pin wires (common anode), such as RGB LED module, LED strip, LED tape, and other LED lights.

This controller can work with Power Repeater to expand the power output, realizing infinite power expansion to connect any quantity of LED lights.

1. Technical Specs

LT-3600RF (Common Anode)	
Input voltage	DC12V – DC24V
Max current load	6A/3CHs
Max output power	220W/450W(12V/24V)
Scale levels	256 steps per RGB
Remote control distance	50m with obstacles: 100m without obstacles
Working temperature	-30°C-55°C
Dimension	L211×W40×H30(mm)
Package Size	L293×W43×H33(mm)
Weight (G.W)	210g

2. Tables of changing modes

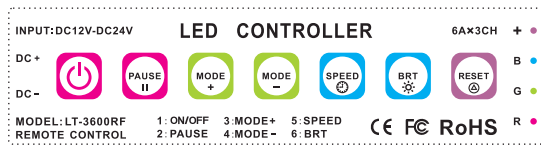
Sequence	Modes	Sequence	Modes
1	Static red	10	White color strobe
2	Static green	11	3 color smooth
3	Static blue	12	Full color smooth
4	Static yellow	13	RG color smooth
5	Static purple	14	R B color smooth
6	Static cyan	15	GB color smooth
7	Static white	16	White color fade & change
8	3 color skipping	17	Great cycle
9	7 color skipping		

3. Operating instructions

The controller, there are 7 function keys:

ON/OFF、**PAUSE**、**MODE+**、**MODE-**、**SPEED**、**BRT**、**RESET**

the first 6 buttons correspond to Buton 1,2,3,4,5,6 in the remote controller.



ON/OFF、PAUSE、MODE+、MODE-、SPEED、BRT、RESET

Sign	Button	RC	Description
	ON/OFF	1	ON/OFF: Turn on/off the controller Any button can start the controller at off status
	PAUSE	2	Pause: Press this button to rest at current color, press it again, it will continue to change.
	MODE+	3	Mode+: Press this button to select next mode
	MODE-	4	Mode-: Press this button to return previous mode
	SPEED	5	Speed: Press this button to select 1-8 speed changing levels.
	BRT	6	Brightness: Press this button to select 1-8 brightness adjustment levels.
	RESET	/	Reset: Press it for a second, enter Cycle mode; Press this button over 3 seconds, if LED flickers twice, it means it has restored to Default status successfully.

4. Conjunction sketch map

Connected to LED RGB module;

