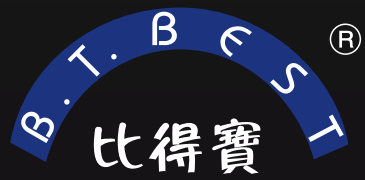




2010-2011

玉环比得宝气阀有限公司  
YUHUAN B.T.BEST AIR-VALVE CO.,LTD

**B.T.BEST  
AIR-VALVE**



**玉环比得宝气阀有限公司**

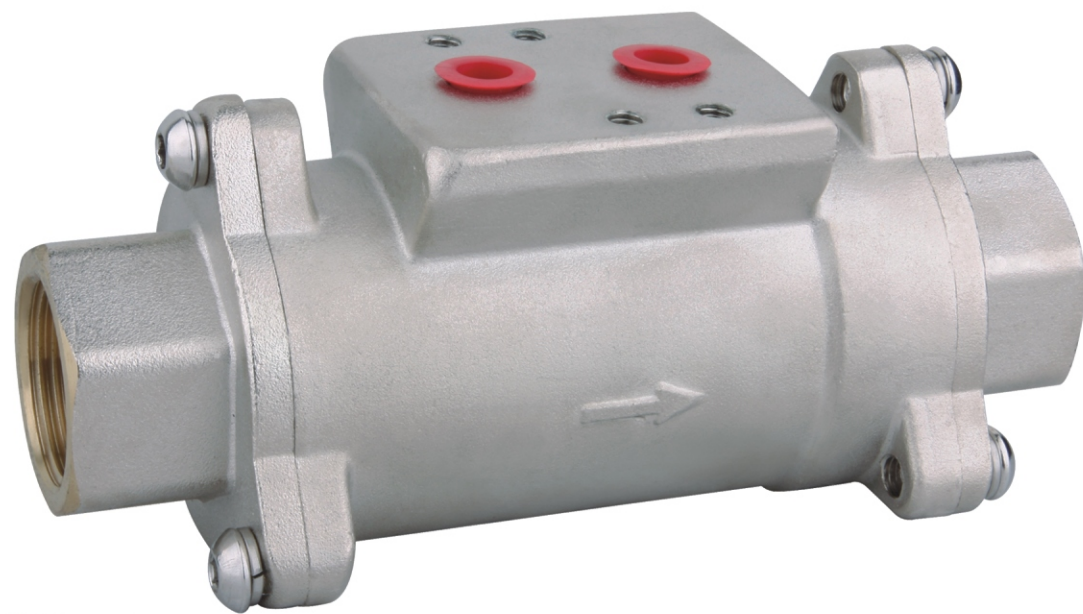
地址：浙江省玉环县清港镇广阳路19号(西区)  
邮编：317606  
电话：0576-87102382  
传真：0576-87108458  
Http://www.btvalve.com  
E-mail:btb@btvalve.com

**YUHUAN B.T.BEST AIR-VALVE CO.,LTD**

Add:No.19 Guangyang Rd., Qinggang, Yuhuan, Zhejiang,China  
P.C:317606  
Tel: +86-576-87117695  
Fax: +86-576-87108458  
Http://www.btvalve.com  
E-mail:sales@btvalve.com admin@btvalve.com



[HTTP://WWW.BTBVALVE.COM](http://www.btvalve.com)



# B.T.BEST AIR-VALVE

We attend PTC ASIA Shanghai in October every year, welcome to our booth by the time.



## 公司简介 Brief introduction

玉环比得宝气阀有限公司专业从事自动流体控制系统及产品的开发和创新的。本公司拥有先进的设备仪器，先进的管理技术，和一批具有创新精神的员工。经过多年的努力，我们在同行业中已处于领先水平。产品以不断创新为核心理念，质量为重，售后服务为辅，努力开拓潜在市场。

公司通过ISO9001:2000质量管理体系认证，严格执行其标准。产品销售遍布全国，同时远销欧洲和南亚，受到客户们的一致好评。本着一切为客户着想的原则，我们努力完善产品与管理制度，因为客户的满意就是我们最大的骄傲。

### Our promise:

- 1.Quotation cycle: 1-2 days
- 2.Production cycle: 20-30 days
- 3.Full-inspection of products, guarantee for 1000000 times

Yuhuan B.T.BEST Air-Valve Co., Ltd. is specialized in manufacturing pneumatic valve, shuttle valve, high platform ball valve, electric ball valve, filter valve and angle seat one way valve and sushi tap etc. integrated with technology and trade. The company is established in 1996, locating in Yuhuan city of China, with about 150 employees at present.

We have been dedicating our resources in researching and developing resource-saving and environment-protecting. Some of our products are very new in the market. We believe that they will be very popular with great competitive advantage. We adopt advanced technology and facilities to produce and strictly test and examine in every step, such as material analysis, pressure test, destructive and nondestructive test etc. We were accredited with ISO 9001:2000 and also can assist customer to get other certificates.

B.T.B air valve is one of the most popular products in China, and also meet warm reputation in EU and South Asia market. To build our brand, we always promote high quality and best service to meet customer satisfaction. The core principle of BTB is "Your satisfaction is our greatest pursuit." Contact us now and we'll respond within 24 hours.

### 气动阀特点:

- ※高流速，流体阻力小，紧密可靠
- ※结构简单，使用寿命长，免维护
- ※适用于介质，粘度最大600mm<sup>2</sup>/s(厘斯)
- ※耐高温、耐化学腐蚀
- ※易安装，气控接口可360°旋转，并且排空气性能良好。

### PNEUMATIC VALVES FEATURES

- ※High flow rate, low fluid resistance, compact assembly
- ※Simple structure with high cycle life, maintenance-free
- ※Suitable for medium with maximum viscosity 600 mm<sup>2</sup>/s
- ※High temperature resistant, chemical corrosive resistant
- ※Easy installation, cylinder can be 360° rotated free, excellent function of air discharge

### 气动阀应用领域:

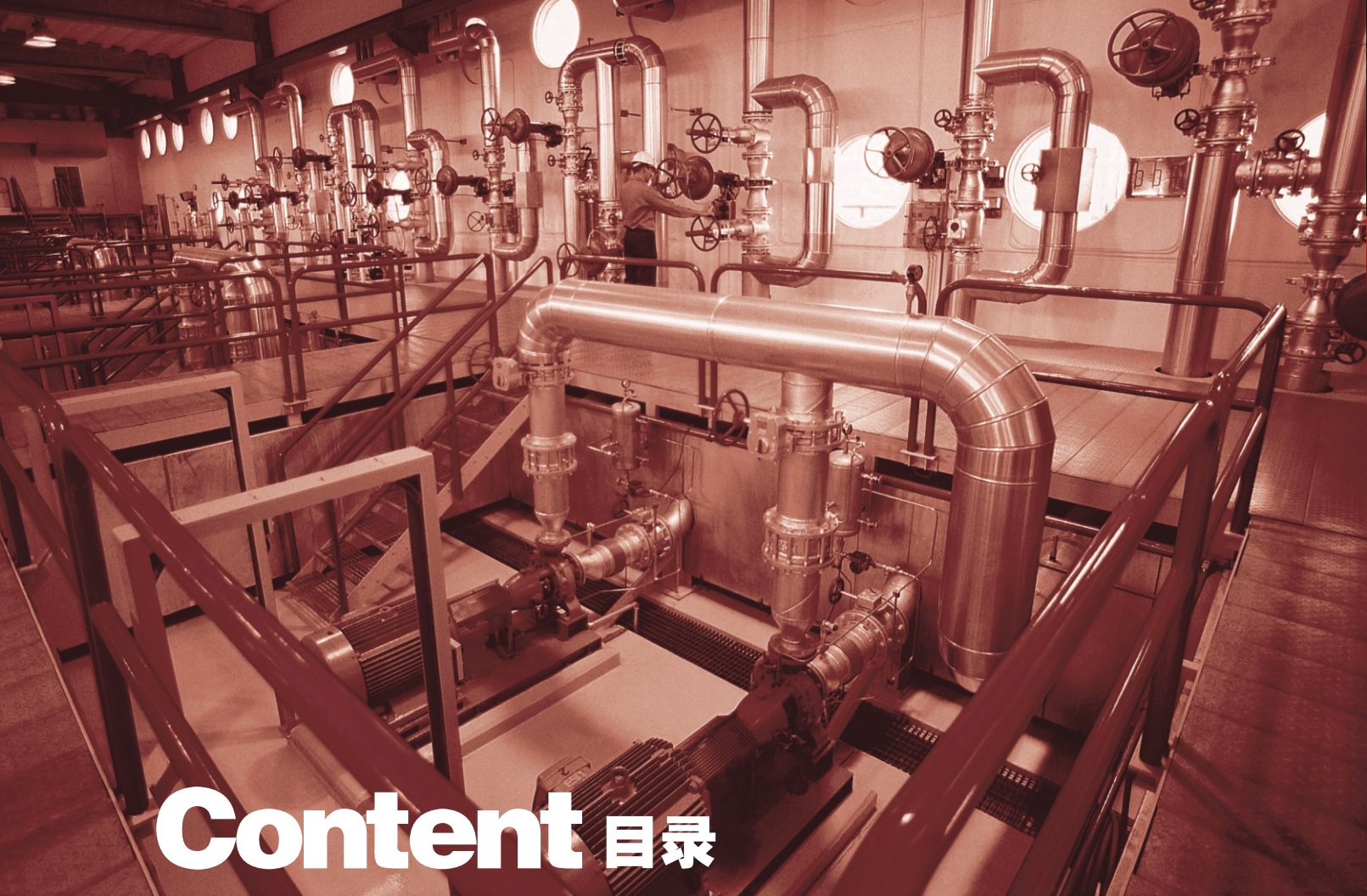
- ※罐装/瓶罐系统
- ※啤酒酿造和饮料技术
- ※化工工业
- ※橡胶机械
- ※食品工业
- ※纺织印染和漂白
- ※真空技术
- ※水处理装置
- ※清洗消毒高温灭菌
- ※洗涤机械

### APPLICATION FIELD

- ※Can/bottle filling system
- ※Beer brewing and Beverage industry
- ※Chemistry industry
- ※Rubber machinery
- ※Food industry
- ※Textile industry
- ※Vacuum technique
- ※Device that disposal of liquid
- ※Washing, disinfecting and high-temperature sterilization
- ※Washing machinery

可控高达200℃的蒸汽、水、空气、洗涤剂、真空、冷却液、饮料、苏打液、油、燃料、酒精、碱性溶液、盐溶液、液压油等。

Can control up to 200℃ steam, water, air, detergent, vacuum, coolant, beverage, soda, oil, fuel, alcohol, lye, salt solutions, hydraulic oil, etc.



# Content 目录

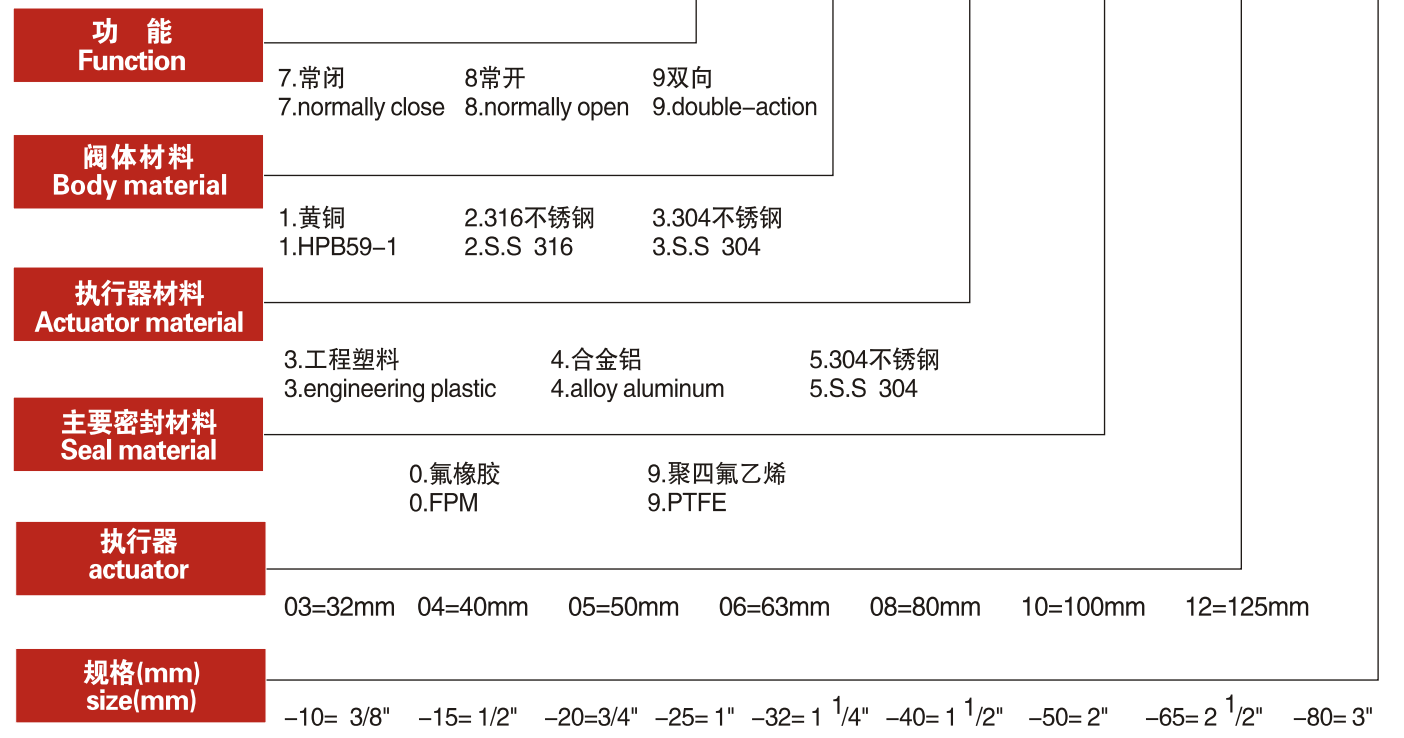
气动角座阀 PNEUMATIC ANGLE SEAT VALVE	P03-P08
气动灌装阀 PNEUMATIC FILLING VALVE	P09
气动三通阀 PNEUMATIC THREE WAY VALVE	P10
气动角座阀安装及使用注意事项 ABOUT PRODUCTS	P11-P12
高平台球阀 HIGH PLATFORM BALL VALVE	P13-P14
二片式气动球阀 2 PIECES PNEUMATIC BALL VALVE	P15-P16
三通高平台球阀 3-WAY,HIGH PLATFORM BALL VALVE	P17-P20
过滤阀 FILTER VALVE	P21
角座单向阀 ANGLE SEAT ONE WAY VALVE	P22
产品集锦 PRODUCT COLLECTION	P23-P24
电磁阀 SOLENOID VALVE	P25-P26
梭阀 SHUTTLE VALVE	P27
寿司水龙头 SUSHI TAP	P28

# B.T.BEST AIR-VALVE

YUHUAN B.T.BEST AIR-VALVE CO.,LTD

## 气动角座阀型号说明:THE MODEL EXPLANATION OF PNEUMATIC ANGLE SEAT VALVE

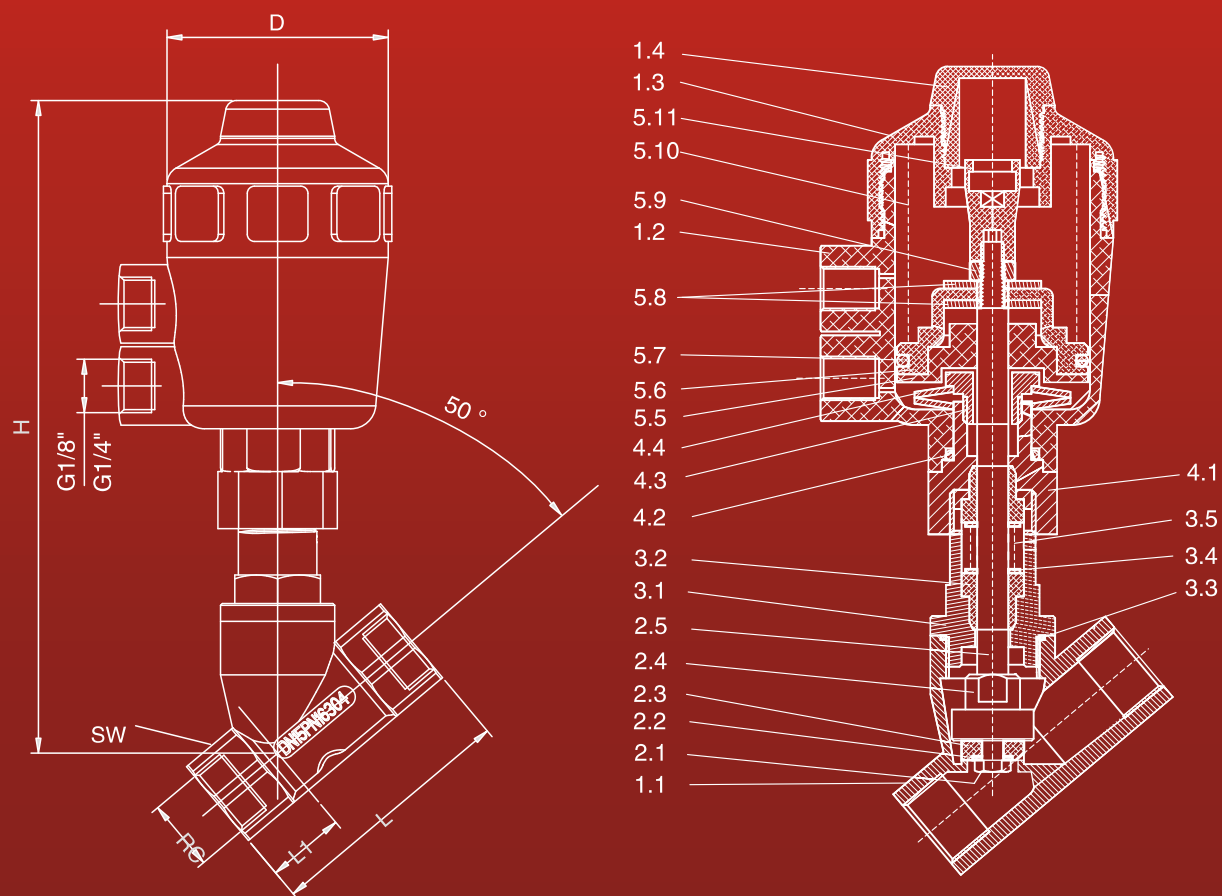
**BTB** ■ ■ ■ ■ ■ - ■



FOR EXAMPLE: BTB734905-25

**BTB 7 3 4 9 05 - 25**





外形尺寸 Outline Dimension (mm)

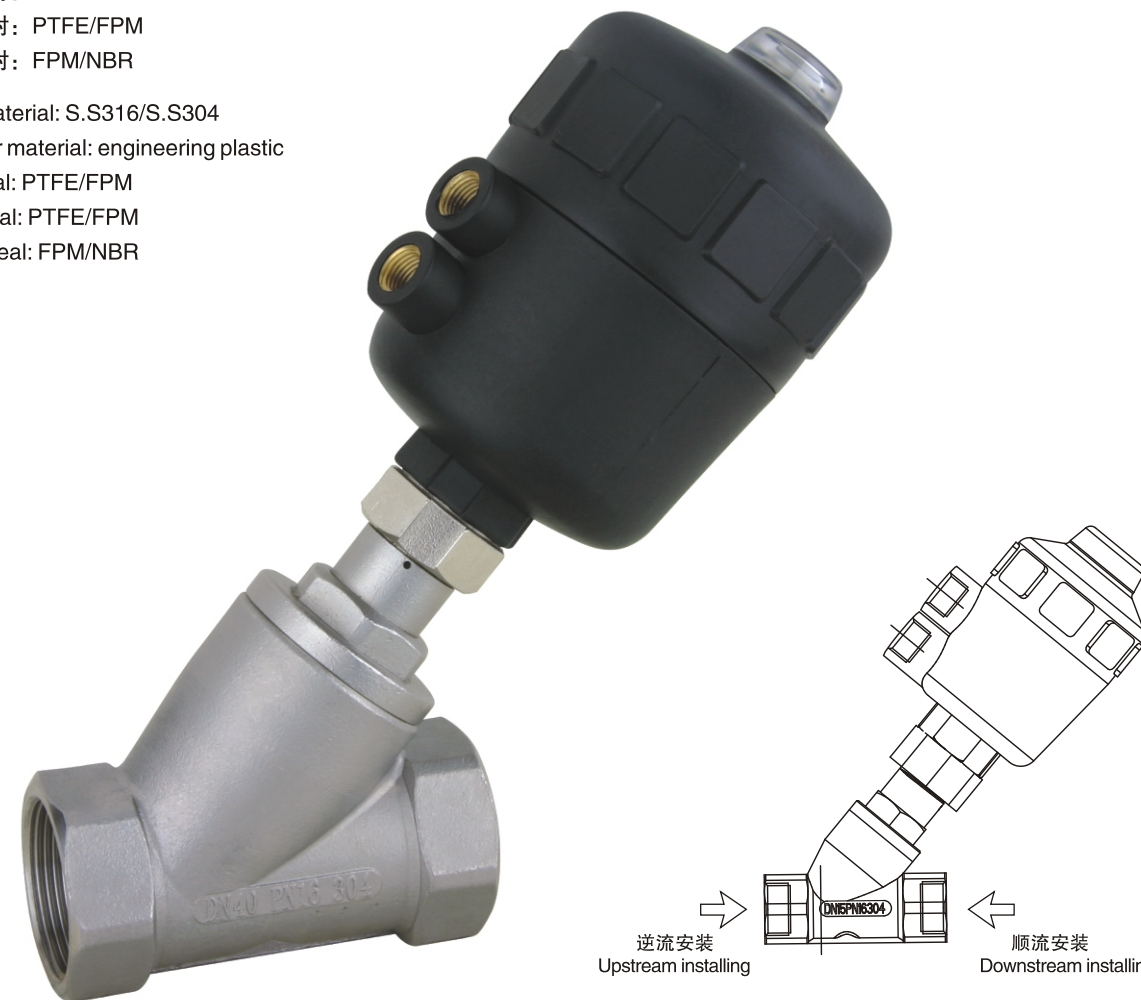
DN	RC	L	L1	SW	H	D	执行器 Actuator
10	3/8"	55	17	21	120	54	40
15	1/2"	70	21	26.5	135	63	50
20	3/4"	76	23	32	145	63	50
25	1"	90	25	40	155	63	50
32	1-1/4"	116	32	50	200	81	63
40	1-1/2"	116	32	55.5	230	96	80
50	2"	138	40	68.5	250	96	80

部件列表

List of Parts

1.1 阀体	3.1 螺纹连接件	5.5 活塞	1.1 body	3.1 screw connector	5.5 piston
1.2 气缸	3.2 V型填料	5.6 法兰	1.2 cylinder	3.2 V sealing	5.6 flange
1.3 气缸盖	3.3 密封环	5.7 密封圈	1.3 cylinder head	3.3 seal ring	5.7 seal ring
1.4 观察窗	3.4 垫圈	5.8 垫片	1.4 observation window	3.4 gasket	5.8 gasket
2.1 螺栓	3.5 弹簧	5.9 六角螺母	2.1 bolt	3.5 spring	5.9 hexagon nut
2.2 孔板密封件	4.1 连接螺母	5.10 弹簧	2.2 orifice plate seal	4.1 connecting nut	5.10 spring
2.3 密封盘	4.2 密封圈	5.11 位置指示器	2.3 seal disc	4.2 seal ring	5.11 position indicator
2.4 阀盘	4.3 锁紧螺母		2.4 disc	4.3 lock nut	
2.5 阀杆	4.4 弹簧片		2.5 stem	4.4 leaf spring	

- ◎ 阀体材料: 不锈钢s.s316/s.s304
- ◎ 执行器材料: 工程塑料
- ◎ 阀芯密封: PTFE/FPM
- ◎ 阀杆密封: PTFE/FPM
- ◎ 活塞密封: FPM/NBR
- ◎ Body material: S.S316/S.S304
- ◎ Actuator material: engineering plastic
- ◎ Seat seal: PTFE/FPM
- ◎ Stem seal: PTFE/FPM
- ◎ Piston seal: FPM/NBR



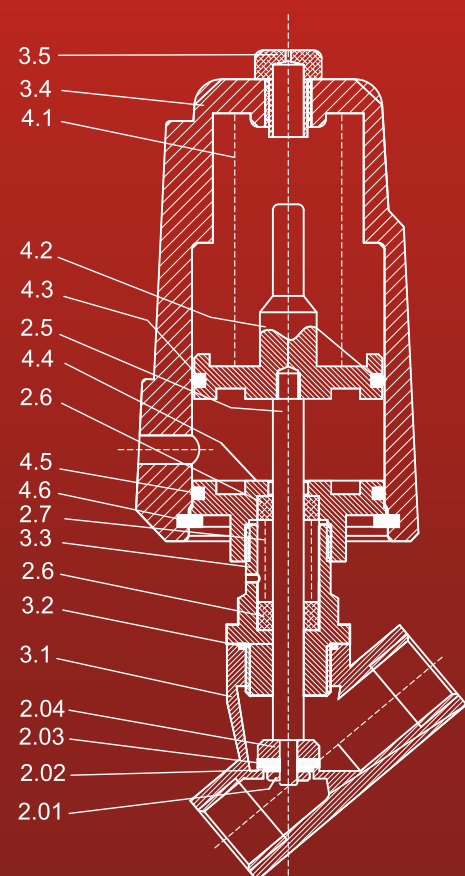
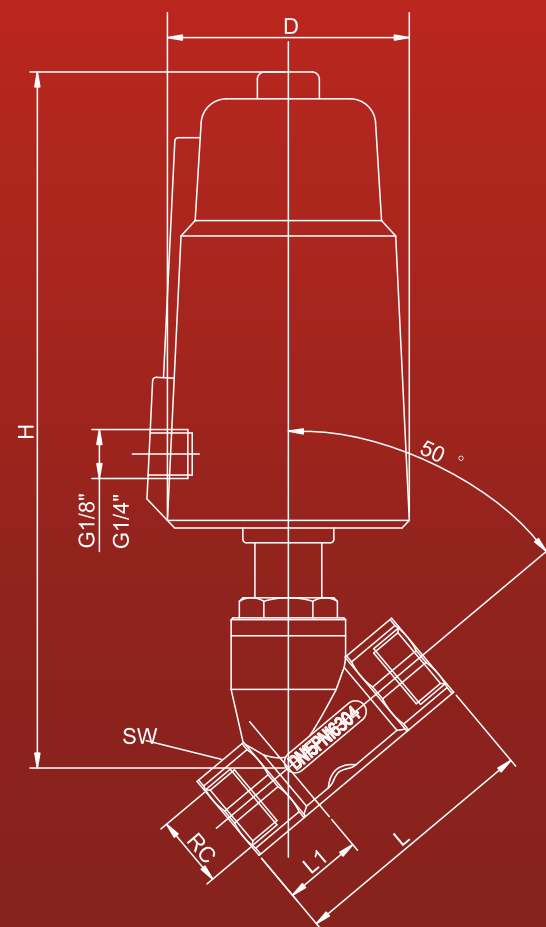
技术参数

接口尺寸: DN10-DN50  
 螺纹: 3/8"-2"  
 适用介质: 水, 中性气体或液体, 酒精, 油, 有机溶剂, 水蒸气。  
 介质温度: PTFE: -10℃ - +180℃  
 FPM: -10℃ - +100℃  
 粘度: Max 600 mm<sup>2</sup>/s  
 顺流安装 / 逆流安装  
 控制介质: 空气/中性气体  
 控制压力范围: 0.3-0.8MPa  
 工作压力: 0-1.6MPa

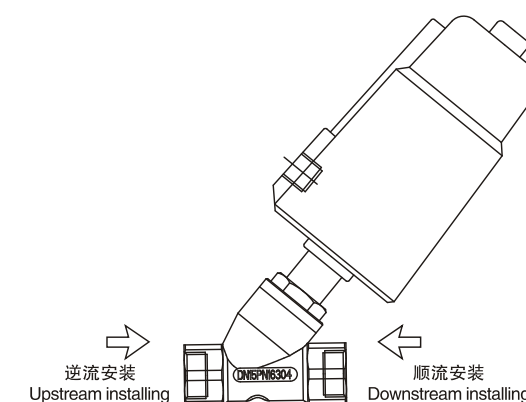
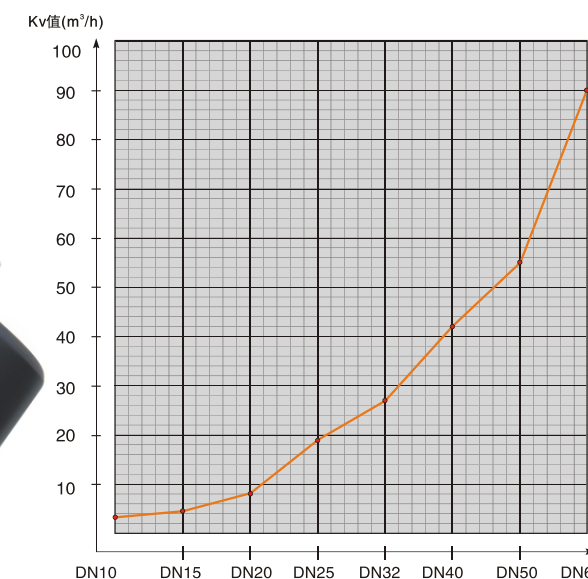
TECHNICAL PARAMETER

Connection size: DN10-DN50  
 Thread: 3/8"-2"  
 Applicable medium: water, neutral gas or liquid, alcohol, oil, organic solvent, steam.  
 Temperature of medium: PTFE: -10℃ - +180℃  
 FPM: -10℃ - +100℃  
 Viscidity: max600 mm<sup>2</sup>/s  
 Downstream installing / Upstream installing  
 Controlling medium: air/neutral gas  
 Controlling pressure: 0.3-0.8MPa  
 Working pressure: 0-1.6MPa

订货编号请根据第一页气动角座阀型号说明编写  
 Please write down the model number based on the explanation on page one



- 阀体材料: 不锈钢s.s316/s.s304/黄铜
- 执行器材料: 合金铝
- 阀芯密封: PTFE/FPM
- 阀杆密封: PTFE/FPM
- 活塞密封: FPM/NBR
  
- Body material: S.S316/S.S304/brass
- Actuator material: alloy aluminum
- Seat seal: PTFE/FPM
- Stem seal: PTFE/FPM
- Piston seal: FPM/NBR



外形尺寸 Outline Dimension(mm)							
DN	RC	L	L1	SW	H	D	执行器 Actuator
10	3/8"	55	17	21	120	51	40
15	1/2"	70	21	26.5	138	51	40
20	3/4"	76	23	32	154	62	50
25	1"	90	25	40	168	62	50
32	1-1/4"	116	32	50	200	76	63
40	1-1/2"	116	32	55.5	215	92	80
50	2"	138	40	68.5	230	92	80
65	2-1/2"	168	51	85	268	117	100

部件列表			List of Parts		
2.01 螺栓	3.1 阀体	4.1 弹簧	2.01 bolt	3.1 body	4.1 spring
2.02 孔板密封件	3.2 密封环	4.2 活塞	2.02 orifice plate seal	3.2 seal ring	4.2 piston
2.03 密封盘	3.3 螺纹连接件	4.3 O型圈	2.03 seal disc	3.3 screw connector	4.3 O ring
2.04 阀盘	3.4 汽缸	4.4 阀盖	2.04 disc	3.4 cylinder	4.4 bonnet
2.5 阀杆	3.5 观察窗	4.5 O型圈	2.5 stem	3.5 observation window	4.5 O ring
2.6 V型填料		4.6 承压环	2.6 V sealing		4.6 bearing ring
2.7 弹簧			2.7 spring		

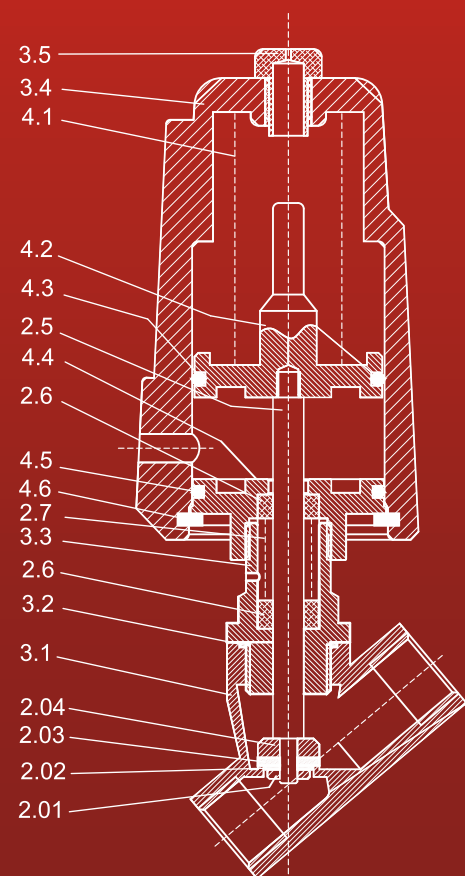
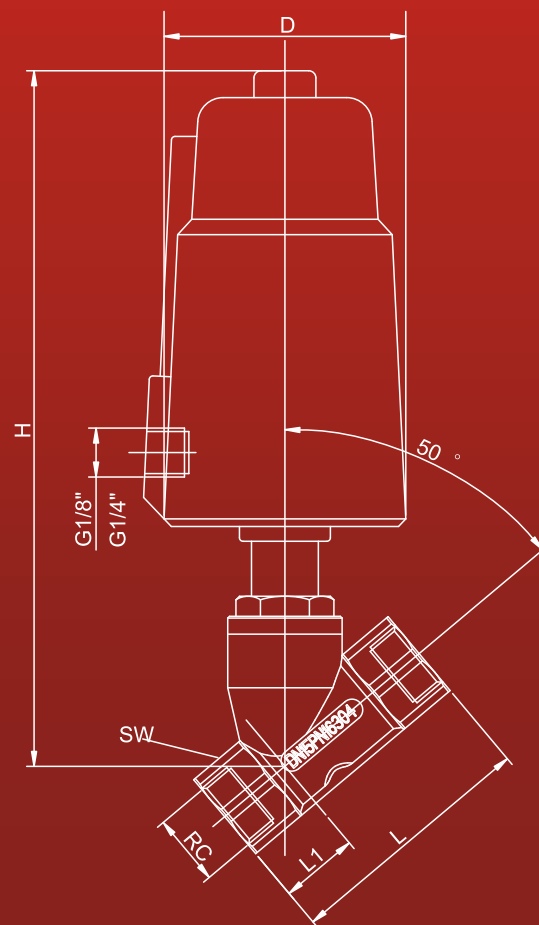
技术参数

接口尺寸: DN10-DN65  
 螺纹: 3/8"-2 1/2"  
 适用介质: 水, 中性气体或液体, 酒精, 油, 有机溶剂, 水蒸气, 弱酸或弱碱溶液.  
 介质温度: PTFE: -10°C - +200°C  
 FPM: -10°C - +100°C  
 粘度: Max 600 mm<sup>2</sup>/s  
 顺流安装 / 逆流安装  
 控制介质: 空气/中性气体  
 控制压力范围: 0.3-0.8MPa  
 工作压力: 0-1.6MPa

TECHNICAL PARAMETER

Connection size: DN10-DN65  
 Thread: 3/8"-2 1/2"  
 Applicable medium: water, neutral gas or liquid, alcohol, oil, organic solvent, steam, lye and weak acid solution  
 Temperature of medium: PTFE: -10°C - +200°C  
 FPM: -10°C - +100°C  
 Viscidity: max600 mm<sup>2</sup>/s  
 Downstream installing / Upstream installing  
 Controlling medium: air/neutral gas  
 Controlling pressure: 0.3-0.8MPa  
 Working pressure: 0-1.6MPa

订货编号请根据第一页气动角座阀型号说明编写  
 Please write down the model number based on the explanation on page one



- 阀体材料: 不锈钢S.S316/S.S304
- 执行器材料: 不锈钢S.S304
- 阀芯密封: PTFE/FPM
- 阀杆密封: PTFE/FPM
- 活塞密封: FPM/NBR
  
- Body material: S.S316/S.S304
- Actuator material: S.S304
- Seat seal: PTFE/FPM
- Stem seal: PTFE/FPM
- Piston seal: FPM/NBR



外形尺寸 Outline Dimension(mm)							
DN	RC	L	L1	SW	H	D	执行器 Actuator
10	3/8"	55	17	21	120	51	40
15	1/2"	70	21	26.5	138	51	40
20	3/4"	76	23	32	154	62	50
25	1"	90	25	40	168	62	50
32	1-1/4"	116	32	50	200	76	63
40	1-1/2"	116	32	55.5	215	92	80
50	2"	138	40	68.5	230	92	80
65	2-1/2"	168	51	85	268	117	100/125
80	3"	192	54	100	325	140	100/125

部件列表			List of Parts		
2.01 螺栓	3.1 阀体	4.1 弹簧	2.01 bolt	3.1 body	4.1 spring
2.02 孔板密封件	3.2 密封环	4.2 活塞	2.02 orifice plate seal	3.2 seal ring	4.2 piston
2.03 密封盘	3.3 螺纹连接件	4.3 O型圈	2.03 seal disc	3.3 screw connector	4.3 O ring
2.04 阀盘	3.4 汽缸	4.4 阀盖	2.04 disc	3.4 cylinder	4.4 bonnet
2.5 阀杆	3.5 观察窗	4.5 O型圈	2.5 stem	3.5 observation window	4.5 O ring
2.6 V型填料		4.6 承压环	2.6 V sealing		4.6 bearing ring
2.7 弹簧			2.7 spring		

### 技术参数

接口尺寸: DN10-DN80  
 螺纹: 3/8"-3"  
 适用介质: 水, 中性气体或液体, 酒精, 油, 有机溶剂, 水蒸气, 弱酸或弱碱溶液.  
 介质温度: PTFE: -10°C - +200°C  
 FPM: -10°C - +100°C  
 粘度: Max 600 mm<sup>2</sup>/s  
 顺流安装 / 逆流安装  
 控制介质: 空气/中性气体  
 控制压力范围: 0.3-0.8MPa  
 工作压力: 0-1.6MPa

### TECHNICAL PARAMETER

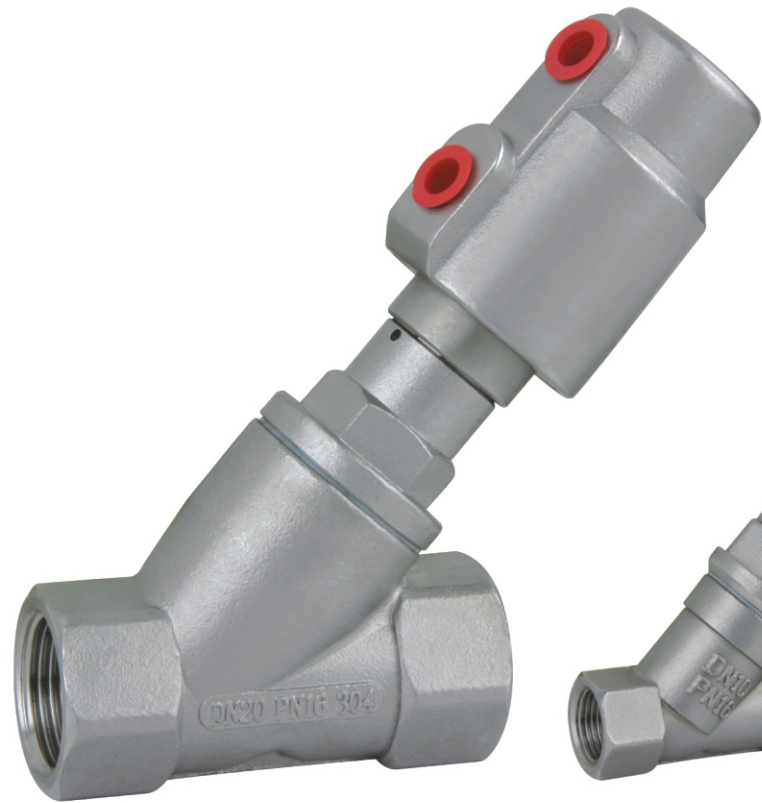
Connection size: DN10-DN80  
 Thread: 3/8"-3"  
 Applicable medium: water, neutral gas or liquid, alcohol, oil, organic solvent, steam, lye and weak acid solution  
 Temperature of medium: PTFE: -10°C - +200°C  
 FPM: -10°C - +100°C  
 Viscidity: max 600 mm<sup>2</sup>/s  
 Downstream installing / Upstream installing  
 Controlling medium: air/neutral gas  
 Controlling pressure: 0.3-0.8MPa  
 Working pressure: 0-1.6MPa

订货编号请根据第一页气动角座阀型号说明编写  
 Please write down the model number based on the explanation on page one

# B.T.BEST AIR-VALVE

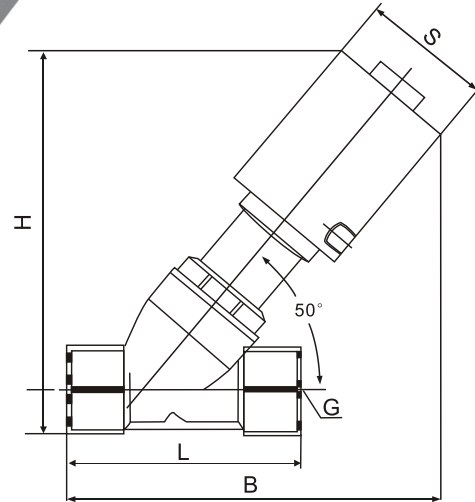
YUHUAN B.T.BEST AIR-VALVE CO.,LTD

## 气动灌装阀 PNEUMATIC FILLING VALVE



BTB925903-20

BTB925903-10



### 技术参数

阀门功能: 常闭·双向  
工作压力: 0.3MPa  
控制压力: 0.3-0.6MPa  
介质温度: -10℃~+200℃  
环境温度: -10℃~+60℃  
适用介质: 中性气体和液体  
气控接口: 1/8"

阀体材料: 316不锈钢  
密封材料: 聚四氟乙烯  
活塞密封材料: 氟橡胶

Valve function: Normally close · Double action  
Working pressure: 0.3MPa  
Control pressure: 0.3-0.6MPa  
Medium temperature: -10℃~+200℃  
Environment temperature: -10℃~+60℃  
Applied medium: neutral gas and liquid  
Pneumatic joint: 1/8"  
Valve body material: S.S316  
Seal material: PTFE  
Piston Seal material: FPM

### 外形尺寸 Outline Dimension(mm)

规格(Size)	B	L	H	G	S	订货号 (Order No.)
DN10	90	55	130	3/8"	40	BTB925903-10
DN15	100	70	150	1/2"	40	BTB925903-15
DN20	110	76	160	3/4"	40	BTB925903-20

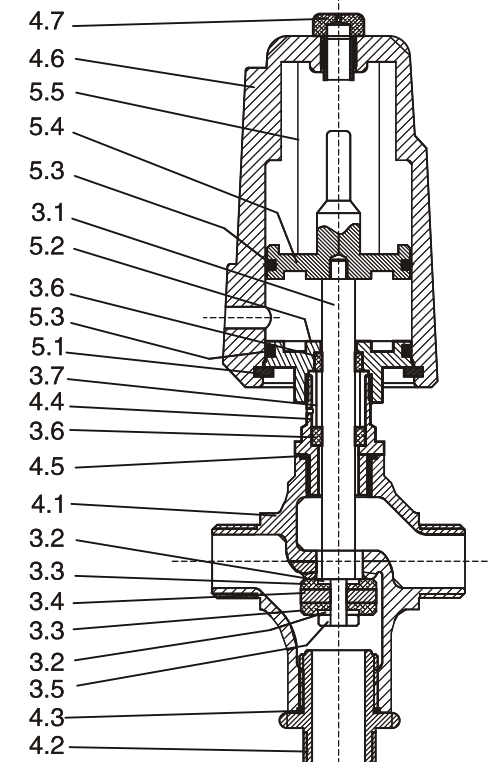
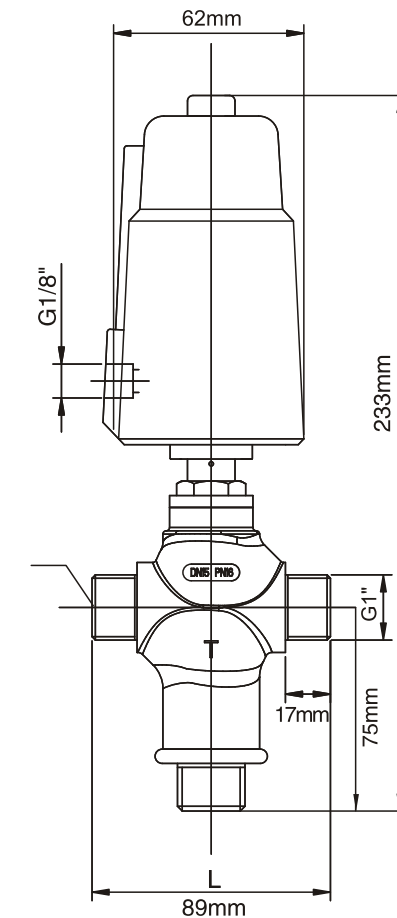
# B.T.BEST AIR-VALVE

YUHUAN B.T.BEST AIR-VALVE CO.,LTD

## 气动三通阀 PNEUMATIC THREE-WAY VALVE



BTB 3935905-25



### 技术参数

阀门功能: 三通  
工作压力: 1.6Mpa  
控制压力: 0.4-0.6Mpa  
介质温度: -10℃~+200℃  
适用介质: 中性气体和液体

气控接口: 1/8"  
阀体材料: 304不锈钢  
密封材料: 聚四氟乙烯  
活塞密封材料: 氟橡胶

Valve function: 3 way  
Working pressure: 1.6Mpa  
Control pressure: 0.4-0.6Mpa  
Medium temperature: -10℃~+200℃

Applied medium: neutral gas and liquid  
Pneumatic joint: 1/8"  
Valve body material: S.S304  
Seal material: PTFE  
Piston Seal material: FPM

### 外形尺寸 Outline Dimension(mm)

DN	RC	L	L1	H	D	订货号 Order No.
25	90	55	130	3/8"	40	BTB 3935905-25

### 部件列表

### List of Parts

3.1 阀杆	4.1 阀杆	5.1 挡圈	3.1 stem	4.1 stem	5. back-up ring
3.2 垫片	4.2 螺纹连接件	5.2 气缸盖	3.2 gasket	4.2 screw connector	5.2 cylinder head
3.3 密封件	4.3 密封环	5.3 O型圈	3.3 sealing	4.3 seal ring	5.3 O ring
3.4 阀盘	4.4 螺纹连接件	5.4 活塞	3.4 disc	4.4 screw connector	5.4 piston
3.5 锁紧螺母	4.5 密封环	5.5 弹簧	3.5 lock nut	4.5 seal ring	5.5 spring
3.6 轴密封件	4.6 气缸		3.6 spindle seal	4.6 cylinder	
3.7 弹簧 spring	4.7 观察窗		3.7 spring	4.7 observation window	

## ABOUT PRODUCTS

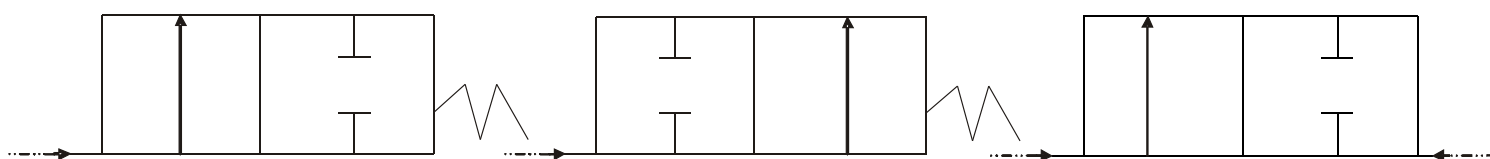
B.T.BEST气动角座阀以不锈钢,铜,和合金铝为主要制造材质,广泛应用于多种行业的流体控制,包括罐装,瓶罐系统,啤酒酿造和饮料技术,化工工业,橡胶机械,食品工业,纺织印染和漂白,真空技术洗涤机械及清洗消毒高温灭菌等行业,适用介质为水,可控高达200℃的蒸汽,液体,中性气体,轻微腐蚀性气体及液体.

The B.T.BEST pneumatic angle valves are made of stainless steel, brass and aluminum alloy, which widely used in fluid control industry, such as Filling System, Beer brewing, Chemical Industry, Rubber Machinery, Food Industry, Textile Industry, Vacuum Washing Machine, High-temperature Cleaning Equipments and so on. It is applicable to water, up to 200°C steam, liquid, neutral gas, slight corrosive gas and liquid

控制方式control mode A  
常闭型normally close

控制方式control mode B  
常开型normally open

控制方式control mode C  
双作用 double acting



### 阀门材料

阀门材料		
阀体材料	材料号	特征
材料	材料号	特征
黄铜	2.0402	用途广泛, 不适用腐蚀性介质
不锈钢304	AISI 304	主要用于腐蚀性介质
不锈钢316	AISI 316	主要用于腐蚀性介质
合金铝	A1Si8 Cu 3	用于中性介质
密封件材料		
材料	温度	特征
NBR丁晴橡胶	-10°C ~ +80°C	适用于大多数中性介质如空气,水等
FPM氟橡胶	-20°C ~ +180°C	含酸基性和油性介质,不适用热水,蒸汽
PTFE聚四氟乙烯	-180°C ~ +200°C	用于腐蚀性介质

### Valve Material

Valve Material		
Valve body	Material reference	Features
Material	Material reference	Features
Brass	2.0402	Widely used, not suitable for corrosive medium
S.S.304	AISI 304	Mainly used for corrosive medium
S.S.316	AISI 316	Mainly used for corrosive medium
Aluminum alloy	A1Si8 Cu 3	Mainly used for neutral medium
Seal		
Material	Temperature	Features
NBR	-10°C ~ +80°C	Suitable for most neutral medium, such as air, water and so on
FPM	-20°C ~ +180°C	Suitable for acid radical and oily medium, not suitable for hot water or steam
PTFE	-180°C ~ +200°C	Suitable for corrosive medium

## 气动阀门安装及使用注意事项

### 一安装须知

- 1.检查气动阀门的型号,参数是否符合现场安装需要和技术要求
- 2.检查气动阀门的气缸,位置指示器,确保无损伤
- 3.必须把气动阀门的管道清洗,吹扫干净;如介质内有杂质,在阀前管道上应加装过滤器.
- 4.按气动阀门上箭头指示的方向安装(顺流安装)把气动阀门的接口与管道连接上,并确保连接处良好的密封
- 5.如加装电磁阀,注意连接处确保密封良好
- 6.需要焊接连接时,避免高温传到气动阀门的填料等处

### 二气动阀门安装及加装电磁阀注意事项

- 1.必须保证流体,气源洁净,以防堵塞电磁阀或气缸活塞.
- 2.电磁阀的线圈带电正常工作时,发热较高,请勿触摸.
- 3.电磁阀的线圈带电时,禁止取下,以防止触电.
- 4.电磁阀的线圈,插座,电磁阀及连接部分,严禁击打碰撞,以免损坏
- 5.电磁阀的线圈带电时,严禁覆盖,以防过热烧毁
- 6.电磁阀的实际电源电压不能超出公差范围
- 7.介质工作压力、工作、温度、黏度、不得超出规定的范围

### 三维护方法

- 1.气动阀门拆卸前,必须排空汽缸中的流体,泄去阀门内介质压力;如果介质是高温,高压易燃,易爆,有毒或者有腐蚀性,必须彻底清除,以防造成人身,设备以外伤害
- 2.气动阀门拆卸步骤:  
A拆汽缸:取下锁紧环,向上提起并取下汽缸后,可以看见活塞,弹簧,位置指示器,阀杆等部件.  
B拆阀体:用扳手卡在阀盖根部进行旋转,即可拆卸阀体,看到阀体内件.  
C拆密封件:在拆开阀体后,可以看到在阀杆末端的密封件,拧下固定密封件的螺丝,即可拆下密封件  
3.根据故障分析,对拆开的阀门进行相应的处理.  
4.处理完毕,参照拆卸步骤依次安装.  
5.密封件,锁紧环,密封环和弹簧等部件一定要安装到位,拧紧连接件时,用力要均匀.拆卸和安装过程中要注意不要碰伤膜片和阀座.  
6.维修好的阀门,必须做试压和渗漏等试验,没有异常后才能再次安装使用.

## Instructions for Installation and Application of Pneumatic Valves

### Installation Notice

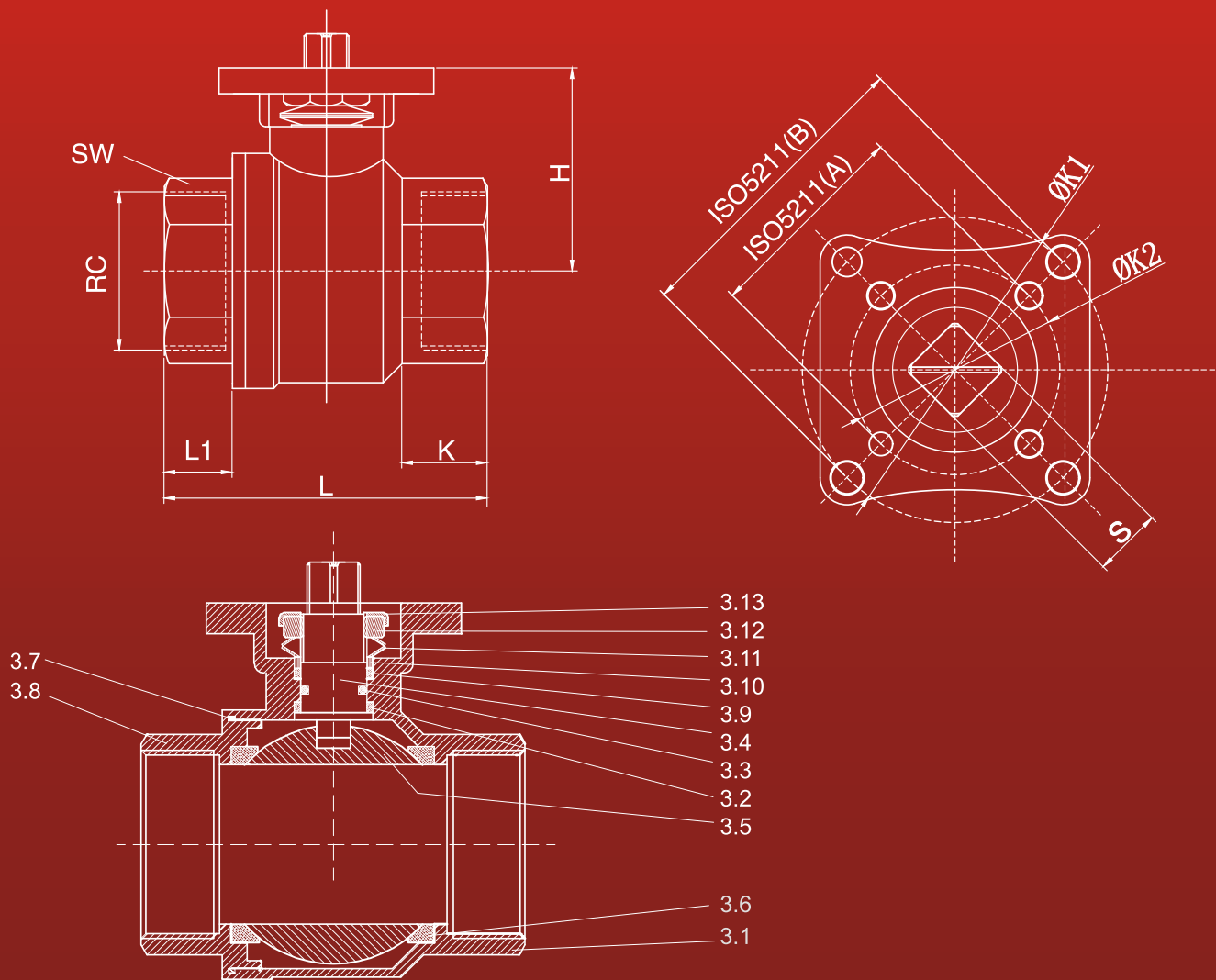
1. Make sure that the model and parameter of the pneumatic valve are in accordance with the site installation and technical requirement.
2. Make sure the valve cylinder and position indicator without damage.
3. Clean the pipe of the pneumatic valve. If any matter inside the medium, please also install the filter valve in the front of the valve pipe.
4. Install as per direction of the arrow on the valve body; Connect the valve mouth to the pipe and make sure the connection is well sealed.
5. If the pneumatic valves are equipped with electric valve, please insure that the connection is well sealed.
6. Avoid to heat the packing of the pneumatic valve while connected by welding.

### Notices of installation of pneumatic valve and electric valve

1. Keep the fluid and gas clean to prevent blocking electric valve or piston.
2. Don't touch the coil while solenoid valve works and gets hot.
3. Don't take off the coil while the solenoid valve works, to protect against electrical hazard.
4. Don't hit the coil, solenoid pipe and the connecting part to cause any damage.
5. Don't cover the coil while electric valve works to prevent over-heating and destroying.
6. The actual supply voltage of the solenoid valve should not exceed the tolerance.
7. The working pressure, working temperature, viscosity of the medium should not exceed the specified scope.

### Maintenance

1. Before disassembling the pneumatic valve, drain the fluid inside the cylinder and the medium pressure of valve. Thoroughly clean the medium if it involves flammability and explosibility with high temperature and high pressure or it is toxic or corrosive.
2. Step of Disassemble pneumatic valve  
A. Disassembly of cylinder: Take off the locking ring, lift the cylinder and take it out. The piston, spring, position indicator and stem are visible.  
B. Disassembly of valve body: loosen with spanner at the end of the valve cover.  
C. Disassembly of seals: Disassemble the valve body, and the seals are at the end of the stem; remove the screw that fasten the seals.  
3. Maintain the valves according to the fault analysis.  
4. Then assemble the valve step by step refer to the step of disassembling .  
5. The parts such as seals, locking ring and spring should be assembled correctly. Tighten the connection properly, do not damage the film and valve seat.  
6. The maintained valve must pass the pressure and leakage test, and then it can be put into use.



外形尺寸 Outline Dimension(mm)										
DN	RC	L	K	SW	H	S	K1	K2	黄铜球阀订货号 order number of brass ball valve	不锈钢球阀订货号 order number of stainless steel ball valve
10	3/8"	55	12	16	38.5	9	36	42	BTB102-10	BTB103-10
15	1/2"	55	12	26	38.5	9	36	42	BTB102-15	BTB103-15
20	3/4"	71	16	32	41.5	11	42	50	BTB102-20	BTB103-20
25	1"	82	19	39	44.8	11	42	50	BTB102-25	BTB103-25
32	1-1/4"	91	19	43	54	14	50	70	BTB102-32	BTB103-32
40	1-1/2"	103	20	54	59	14	50	70	BTB102-40	BTB103-40
50	2"	121	23	69	67.2	14	50	70	BTB102-50	BTB103-50
65	2-1/2"	158	32	82	97.5	17	70	102	BTB102-65	
80	3"	188	40	96	106	17	70	102	BTB102-80	
100	4"	222	48	122	121	17	70	102	BTB102-100	

部件列表			List of Parts		
3.1 阀体	3.6 密封件	3.10 垫圈	3.1 body	3.6 sealing	3.10 gasket
3.2 密封环	3.7 密封垫	3.11 V型填料	3.2 seal ring	3.7 sealing gasket	3.11 V sealing
3.3 O型圈	3.8 阀盖	3.12 锁紧螺母	3.3 O ring	3.8 bonnet	3.12 seal ring
3.4 阀杆	3.9 密封环	3.13 卡套	3.4 stem	3.9 seal ring	3.13 ferrule
3.5 阀球			3.5 ball		



BTB 103-50



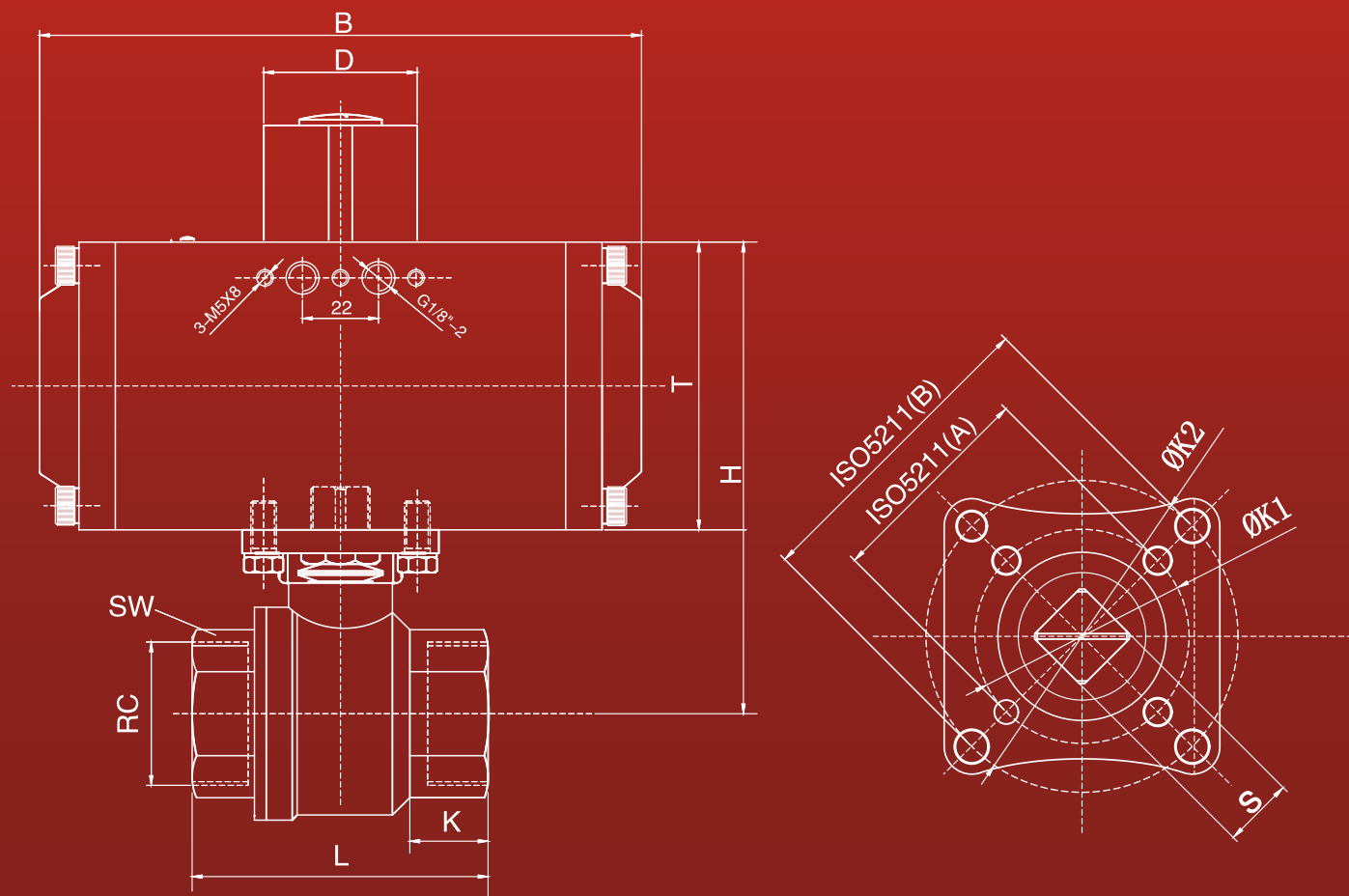
BTB 102-50

### 技术参数

工作压力: 6.3MPa/不锈钢 1.6MPa/黄铜  
 工作温度: -10-180摄氏度。  
 阀体材料: 黄铜/不锈钢。  
 主要密封件: 聚四氟乙稀。  
 管道接口: 3/8" -4"

### TECHNICAL PARAMETER

Working pressure: 6.3MPa/S.S 304 1.6MPa/brass  
 Working temperature: -10-180°C  
 Body material: BRASS/S.S304  
 Major seal material: PTFE  
 Conduit connection: 3/8" -4"



外形尺寸 Outline Dimension(mm)										
DN	RC	L	K	SW	H	T	D	B	黄铜球阀订货号 order number of brass ball valve	不锈钢球阀订货号 order number of stainless steel ball valve
10	3/8"	55	12	16	104	65		150	BTB2000B-10	BTB2000A-10
15	1/2"	55	12	26	104	65	40	150	BTB2000B-15	BTB2000A-15
20	3/4"	71	16	32	107	65	40	150	BTB2000B-20	BTB2000A-20
25	1"	82	19	39	120	75	40	150	BTB2000B-25	BTB2000A-25
32	1-1/4"	91	19	43	142	88	40	173	BTB2000B-32	BTB2000A-32
40	1-1/2"	103	20	54	147	88	40	173	BTB2000B-40	BTB2000A-40
50	2"	121	23	69	167	100	40	187	BTB2000B-50	BTB2000A-50
65	2-1/2"	158	32	82	208	110	40	214	BTB2000B-65	
80	3"	188	40	96	239	133	40	273	BTB2000B-80	
100	4"	222	48	122	310	189	40	304	BTB2000B-100	



BTB 2000A-50



BTB 2000B-50

气动球阀，是采用先导电磁阀控制，压缩空气作动，旋转式执行器运动，以达到阀门的开启功能。

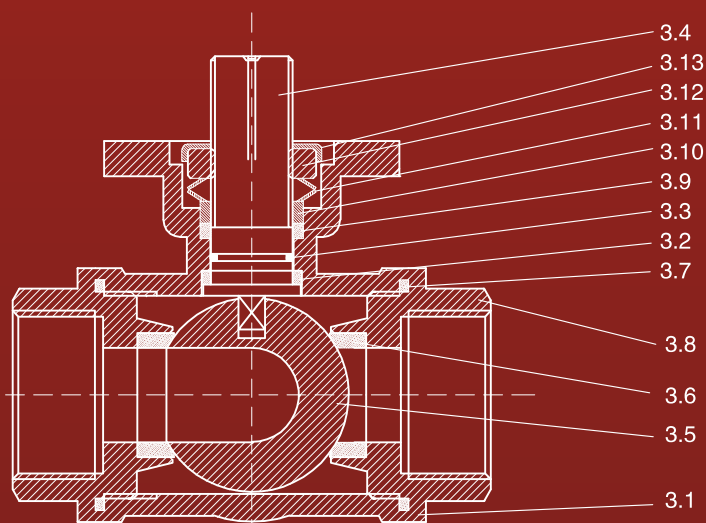
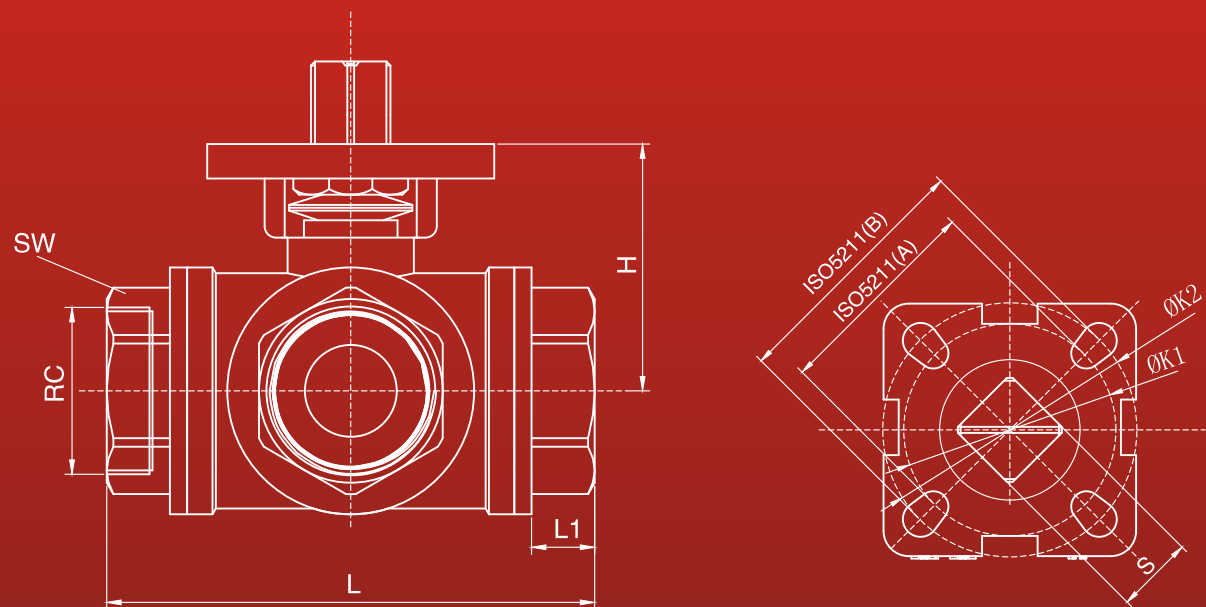
Pneumatic ball valve, controlled by forerunner electromagnetism valve, acted by compressing air, circumgyrate actuator moving, in order to open the valve.

### 技术参数

阀门功能：双向，单向。  
工作压力：6.3MPa/不锈钢 1.6MPa/黄铜  
控制气压：0.4MPa-0.6MPa。  
工作温度：-10-180℃。  
阀体材料：黄铜/不锈钢。  
主要密封件：聚四氟乙烯。  
管道接口：3/8" -4"  
气管接口：1/8" ,1/4"

### TECHNICAL PARAMETER

Valve function: double acting, single acting  
Working pressure: 6.3MPa/Stainless steel 1.6MPa/brass  
Control air pressure: 0.4MPa-0.6MPa  
Working temperature: -10-180℃  
Valve body material: brass/S.S304  
Major seal material: PTFE  
Conduit connection: 3/8" -4"  
Trachea connection: 1/8" ,1/4"

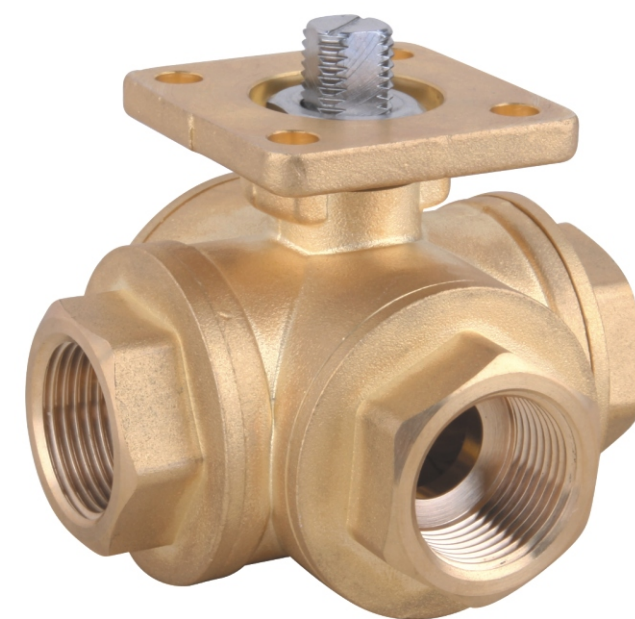


外形尺寸 Outline Dimension(mm)									
DN	RC	L	L1	SW	H	S	φK1	φK2	订货号(Order No.)
10	3/8"	75	14	27	40	9	36	42	BTB105-10
15	1/2"	75	14	27	40	9	36	42	BTB105-15
20	3/4"	85	16	33	45	11	42	50	BTB105-20
25	1"	100	17	41	48	11	42	50	BTB105-25
32	1-1/4"	117	17	48	55	14	50	70	BTB105-32
40	1-1/2"	142	19	55	61	14	50	70	BTB105-40
50	2"	156	19	69	70	14	50	70	BTB105-50

部件列表			List of Parts		
3.1 阀体	3.6 球密封件	3.10 垫圈	3.1 body	3.6 sealing	3.10 gasket
3.2 密封环	3.7 密封垫	3.11 V型填料	3.2 seal ring	3.7 sealing gasket	3.11 V sealing
3.3 O型圈	3.8 阀盖	3.12 锁紧螺母	3.3 O ring	3.8 bonnet	3.12 lock nut
3.4 阀杆	3.9 轴密封环	3.13 卡套	3.4 stem	3.9 stem seal ring	3.13 ferrule
3.5 阀球			3.5 ball		



BTB 105T-20



BTB 106L-20

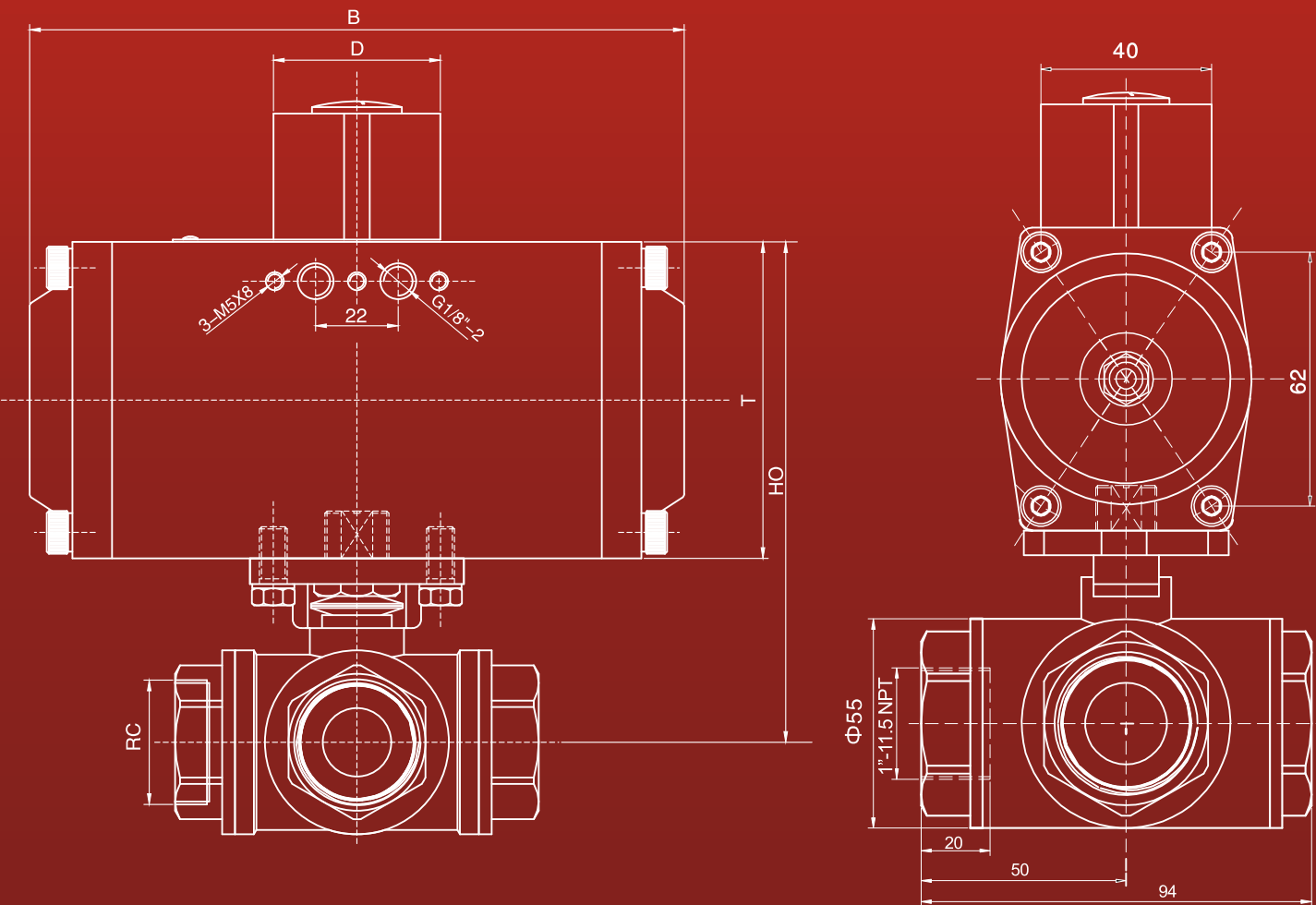
	Variation 01	Variation 02	Variation 03	Variation 04	Variation 05	Variation 06	Variation 07
Pos.1							
Pos.2							

### 技术参数

阀门功能: L型, T型  
 工作压力: 6.3MPa/不锈钢 1.6MPa/黄铜。  
 控制气压: 0.4MPa-0.6MPa。(带执行器)  
 工作温度: -10-200℃。  
 阀体材料: 不锈钢, 黄铜。  
 主要密封件: 聚四氟乙烯。  
 管道接口: 1/8" -2"  
 气管接口: 1/8" ,1/4" (带执行器)

### TECHNICAL PARAMETER

Valve function: L type, T type.  
 Working pressure: 6.3MPa /S.S304/S.S316 1.6MPa/brass  
 Control air pressure: 0.4MPa-0.6MPa (equipped with actuator)  
 Working temperature: -10-200℃  
 Valve body material: S.S 304/S.S 316/brass  
 Major seal material: PTFE  
 Conduit connection: 1/8" -2"  
 Trachea connection: 1/8" ,1/4" (equipped with actuator)



外形尺寸 Outline Dimension(mm)						
DN	RC	HO	T	D	B	订货号(push order)
10	3/8"	105	65	40	150	BTB2003-10
15	1/2"	105	65	40	150	BTB2003-15
20	3/4"	110	65	40	150	BTB2003-20
25	1"	123	75	40	150	BTB2003-25
32	1-1/4"	163	108	50	200	BTB2003-32
40	1-1/2"	169	108	50	200	BTB2003-40
50	2"	178	108	50	200	BTB2003-50



BTB 2003A-50



BTB 2003B-50

	Variation 01	Variation 02	Variation 03	Variation 04	Variation 05	Variation 06	Variation 07
Pos.1							
Pos.2							

### 技术参数

阀门功能: L型, T型  
 工作压力: 6.3MPa/不锈钢 1.6MPa/黄铜。  
 控制气压: 0.4MPa-0.6MPa。(带执行器)  
 工作温度: -10-200℃。  
 阀体材料: 不锈钢/黄铜。  
 主要密封件: 聚四氟乙稀。  
 管道接口: 1/8"-2"  
 气管接口: 1/8", 1/4" (带执行器)

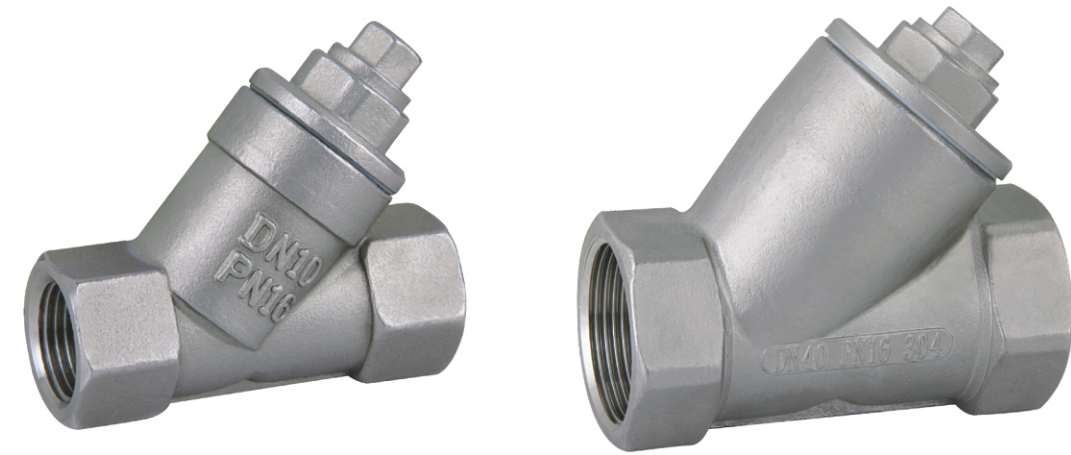
### TECHNICAL PARAMETER

Valve function: L type, T type.  
 Working pressure: 6.3MPa /S.S304/S.S316 1.6MPa/brass  
 Control air pressure: 0.4MPa-0.6MPa (equipped with actuator)  
 Working temperature: -10-200℃  
 Valve body material: S.S 304/S.S 316/brass  
 Major seal material: PTFE  
 Conduit connection: 1/8"-2"  
 Trachea connection: 1/8", 1/4" (equipped with actuator)

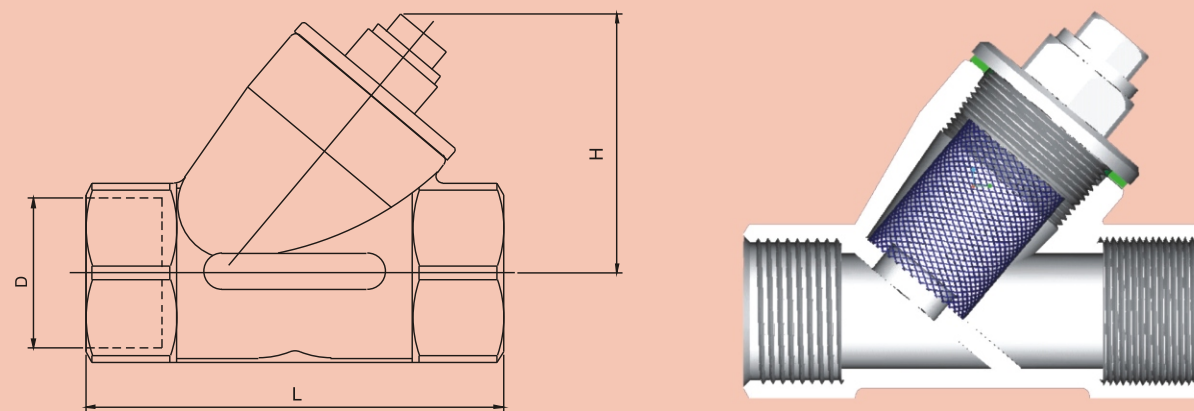
# B.T.BEST AIR-VALVE

YUHUAN B.T.BEST AIR-VALVE CO.,LTD

## 过滤阀 FILTER VALVE



BTB301 Series



外形尺寸 Outline Dimension(mm)

规格	D	L	H	订货号(Order No.)
DN10	3/8"	55	49	BTB301-10
DN15	1/2"	70	59	BTB301-15
DN20	3/4"	76	65	BTB301-20
DN25	1"	72	78	BTB301-25
DN32	1-1/4"	118	105	BTB301-32
DN40	1-1/2"	118	108	BTB301-40
DN50	2"	140	128	BTB301-50
DN65	2-1/2"	170	158	BTB301-65

### 技术参数

不锈钢液体过滤器材料有S.S304和S.S316,滤网采用不锈钢冲孔网和不锈钢网布,密度50-60目。

密封:聚四氟乙烯,具有拆卸清洗方便,耐高温,外表处理美观等特点.管道内RC螺纹接口. 目前生产的规格有DN10-DN65

### TECHNICAL PARAMETER

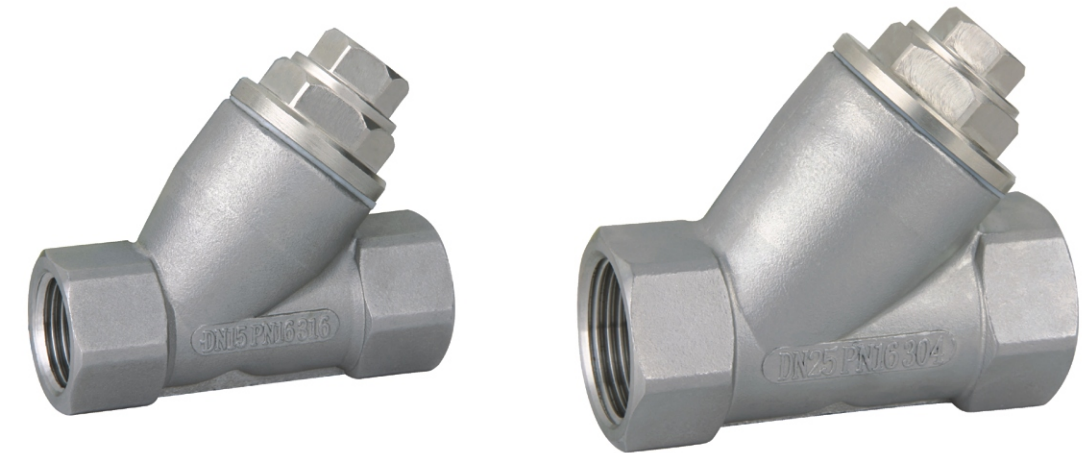
Stainless steel liquid filter can be in material S. S304 or S. S316. The strainer is stainless steel punching net and stainless steel net fabric with density of 50-60 mesh.

Seal: PTFE, which is easy to be cleaned and high temperature resistance and also very pretty. The connection is RC screw, size from DN10 to DN65.

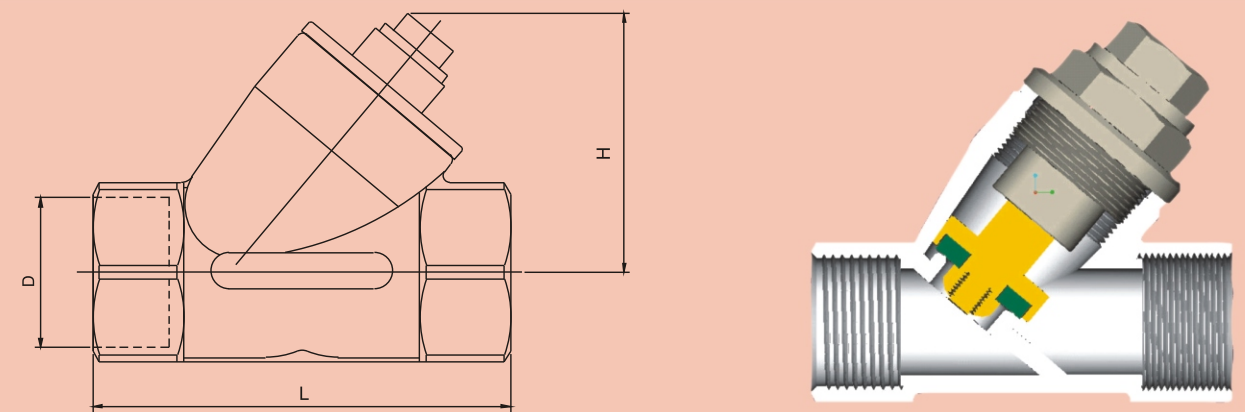
# B.T.BEST AIR-VALVE

YUHUAN B.T.BEST AIR-VALVE CO.,LTD

## 角座单向阀 ANGLE SEAT ONE WAY VALVE



BTB401 Series



外形尺寸 Outline Dimension(mm)

规格	D	L	H	订货号(Order No.)
DN15	1/2"	70	59	BTB401-15
DN20	3/4"	76	65	BTB401-20
DN25	1"	72	78	BTB401-25

### 技术参数

角座单向阀采用不锈钢弹簧复位,氟橡胶或聚四氟乙烯密封。产品具有流量大,任意方向安装,流体止回灵活,外表精致,寿命长等特点。流体单向通过压力0.001MPa,RC内螺纹连接。目前生产的规格有DN10-DN65。为保护密封面,延长密封件的寿命,建议同时使用50目密度的过滤器过滤流体。

### TECHNICAL PARAMETER

Angle-seat one-way valve using stainless steel spring to reset, seal with FPM or PTFE. Features: large flux, install in any angle, flexible control of liquid, and refinement surface, long life. Liquid can go one way under 0.001MPa pressure, and RC inner screw thread connection, and now we have size from DN10-DN65. In order to protect the seal side, and extend the life of seal pieces, we advice you to use 50 density filter valve to filtrate liquid at the same time.

# B.T.BEST AIR-VALVE

YUHUAN B.T.BEST AIR-VALVE CO.,LTD

# B.T.BEST AIR-VALVE

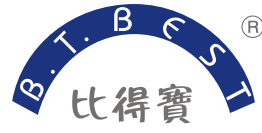
YUHUAN B.T.BEST AIR-VALVE CO.,LTD

地址：浙江省玉环县清港镇广阳路19号(西区)  
电话：0576-87102382 87117695

传真：0576-87108458 邮编：317606  
http://www.btbvalve.com e-mail:btb@btbvalve.com

Add:No.19 Guangyang Rd., Qinggang, Yuhuan, Zhejiang,China  
Tel: +86-576-87102382 87117695

Fax: +86-576-87108458 P.C:317606  
http://www.btbvalve.com e-mail:btb@btbvalve.com

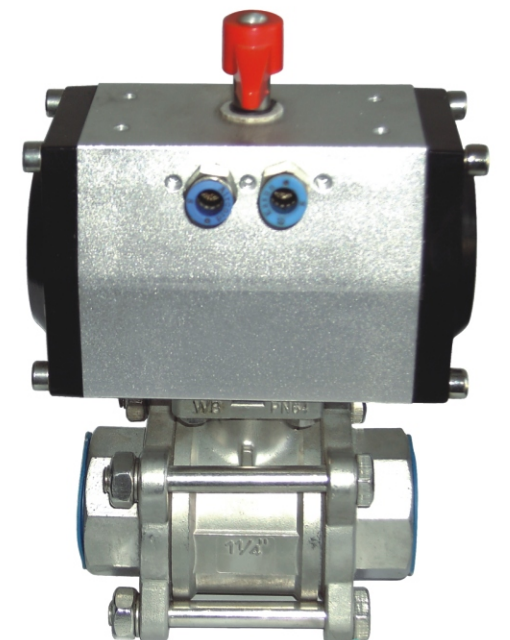
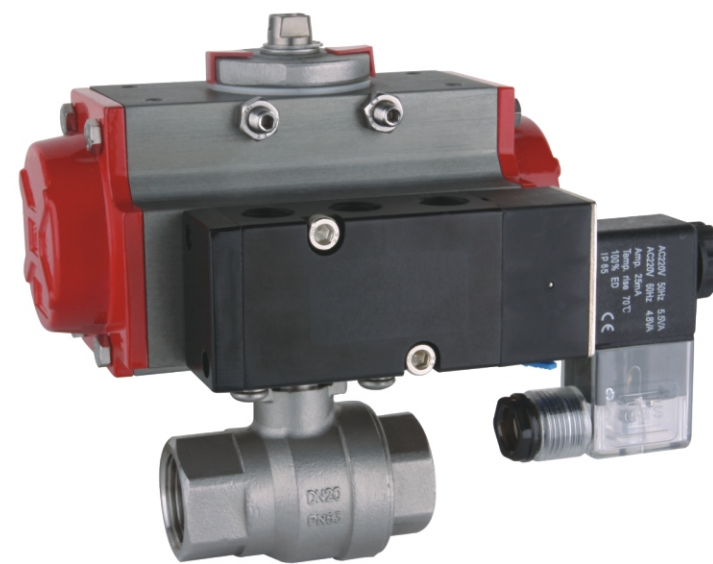


BTB723905J-25

BTB2002-25

BTB106E

BTB801-A



BTB734905U-25

BTB714905-20

BTB901-50

BTB2000AU-20

BTB2000A-3M-32

# B.T.BEST AIR-VALVE

YUHUAN B.T.BEST AIR-VALVE CO.,LTD

## US系列电磁阀 US SERIES SOLENOID VALVE



BTB2LUS-25



BTB2LUS-40

技术参数 TECHNICAL PARAMETER							
产品规格 Specification	DN 10	DN 15	DN20	DN25	DN32	DN 40	DN 50
图形符号 Graphic symbol							
使用流体 Application liquid	蒸汽, 水, 空气 Steam, water, air						
作动方式 Operation mode	引导式 Booting way						
型式 Type	常闭式 Normally close						
流量孔径 Flow aperture	17		22		30		50
CV值 CV value	4.8		12		20		48
接管口径 Thread size	3/8"	1/2"	3/4"	1"	1-1/4"	1-1/2"	2"
使用流体粘滞度 Viscidity of application liquid	20CST以下 Under 20CST						
使用压力 Pressure	蒸汽, 热空气, 油 0.5-15 steam, heated air, oil 0.5-15						
最大耐压力 Maximum pressure-resistant	0.2MPa						
工作温度 Working temperature	-5~180°C						
使用电压范围 Application voltage range	+/-10%						
本体材质 Body material	黄铜 Hpb59-1						
油封材质 oil-oily	EPDM, PTFE						
标准电压 standard voltage	AC: 220V 110V DC 24V 12V						

# B.T.BEST AIR-VALVE

YUHUAN B.T.BEST AIR-VALVE CO.,LTD

## 2W常闭系列电磁阀 2W SERIES SOLENOID VALVE



BTB2W-25

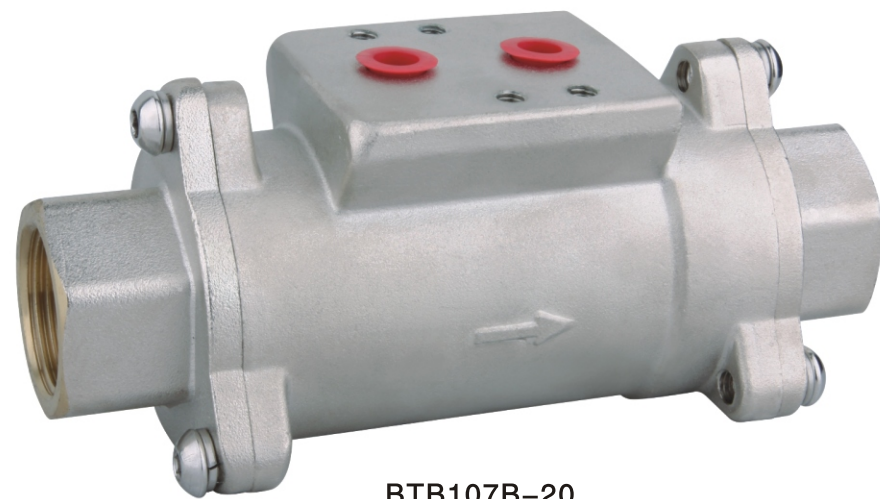
技术参数 TECHNICAL PARAMETER							
产品规格 Specification	DN 10	DN 15	DN20	DN25	DN32	DN 40	DN 50
图形符号 Graphic symbol							
适用介质 Applicable medium	水, 空气 water, air						
作动方式 Operation mode	直接式 Direct type						
型式 Type	常闭式 Normally close						
流量孔径 Flow aperture	16	16	20	25	35	40	50
CV值 CV value ( m3/h )	4.8	4.8	7.6	12	24	29	48
接管口径 Thread size	G3/8"	G1/2"	G3/4"	G1"	G1 1/4"	G1 1/2"	G2"
使用流体粘滞度 Viscidity of application liquid	20CST以下 Below 20CST						
使用压力 Pressure	空气 Air: 0-0.7MPa 水 Water: 0-0.5Mpa						
最大耐压力 Maximum pressure resistant	1.05Mpa						
工作温度 Working temperature	-5°C ~ +80°C						
使用电压范围 Application voltage range	± 10%						
本体材质 Body material	黄铜 Brass						
油封材质 Oil seal material	NBR/FPM						

# B.T.BEST AIR-VALVE

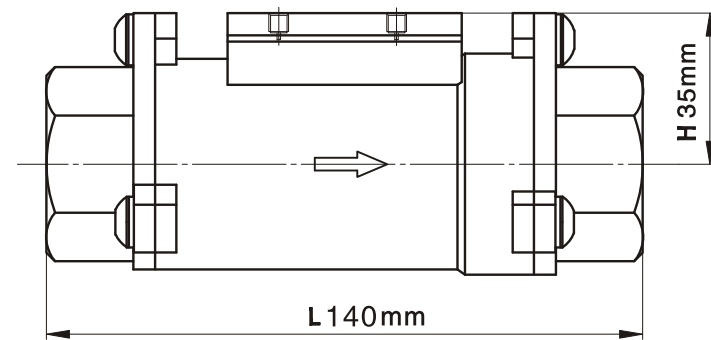
YUHUAN B.T.BEST AIR-VALVE CO.,LTD

## 梭阀 SHUTTLE VALVE

- 阀体材料: 黄铜
- 密封材料: FPM/NBR
- 表面处理: 镀镍
- Body material: Brass
- Seal material: FPM/NBR
- Surface treatment: Nickle plated



BTB107B-20



### 技术参数

接口尺寸: DN20  
 螺纹: 3/4"  
 工作压力: Max 0.8MPa  
 接口: 1/8"  
 介质温度: -10°C to +80°C  
 环境温度: -10°C to +50°C

### TECHNICAL PARAMETER

Connection size: DN20  
 Thread: 3/4"  
 Working pressure: Max 0.8MPa  
 Connection: 1/8"  
 Operating media temperature: from -10°C to +80°C  
 Ambient temperature: from -10°C to +50°C

# B.T.BEST AIR-VALVE

YUHUAN B.T.BEST AIR-VALVE CO.,LTD

## 寿司水龙头 SUSHI TAP



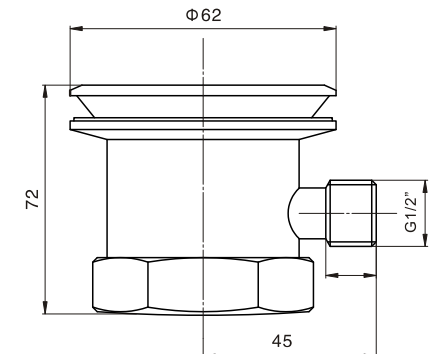
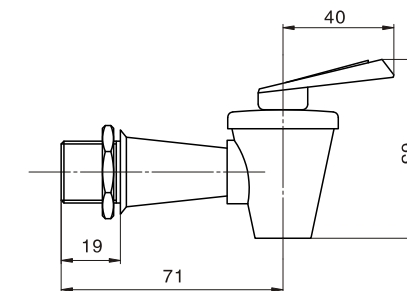
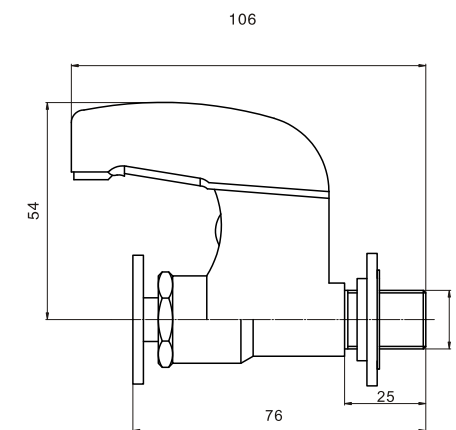
BTB002



BTB009



BTB007



### 寿司水龙头

材料: 黄铜  
 密封: 硅橡胶  
 表面处理: 抛光镀铬  
 连接方式: 螺纹  
 安装方式: 壁式安装  
 作动方式: 茶杯推动力

### DRINKING MACHINE TAP

Body material: Brass  
 Seal material: Silicon Rubber  
 Surface treatment: Polish, chrome plated  
 Connecting way: Thread  
 Installing way: Wall installing  
 Operation mode: Cup pushing power