

Coolville Display Co., LTD

Add: NO.17, North District, Lingdou, Xiamen, China 361009
Tel: 86-592-5190736 Fax: 86-592-3778680 Email: info@displayrackstand.com

Spinning Literature Stand



2012-12-15

Spinning Literature Stand

Wire Spinning Brochure Display Rack

Model NO.: SLS001~SLS001c

Material: Metal wire

Tiers: 3

Tiers adjustable to 3" intervals

Pockets: 24

Deep of Pocket: 1 1/4"

Color: Gray or other colors

Finishing: Powder coating or Chrome

Feature: Spinning

Style: Floor Display

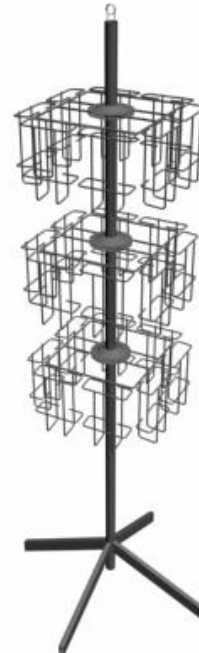
Function: Display Brochure, Map, Flyer, Business Card, etc.

Small footprint saves space

Wire and steel tubular frame construction

Easy to assemble

Fit for your needs!



Description:

The Wire Spinning Brochure Display Rack will work great to display Brochure, Map, Flyer and Business Card. There are 3 tiers and 24 welded wire pockets totally. Every pocket is suitable for 4" x 9" literature.

There is a sign holder on the top of the Wire Spinning brochure rack which can display your sign/branding to your clients. The spinning design is convenient for clients viewing the brochures, maps or flyers, which is useful for your business.

Made of metal wire, the spinning brochure display rack is stability and good quality.

Small footprint saves much space and delivery cost. The brochure display rack is easy to be assembled.

Website: www.displayrackstand.com

Countertop Spinner Card Display Rack

Model NO.: SLS002~ SLS002d

Material: Metal wire

Tall: 33"

Tiers: 2

Tiers adjustable to 3" increments

Pockets: 16

Pocket Depth: 1 1/4"

Pocket width (inside): 4 3/16"

Color: Gray or other colors

Finishing: Powder coating or Chrome

Feature: Spinning

Style: Counter Display

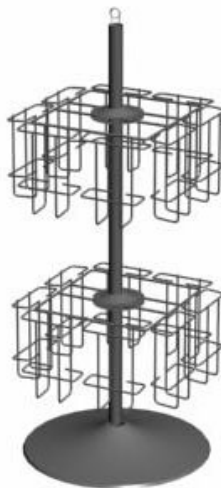
Function: Display Brochure, Map, Flyer, Business Card, etc.

Small footprint saves space

Wire and steel tubular frame construction

Easy to assemble

Fit for your needs!



Description:

The Countertop Spinner Card Display Rack has 2 tiers, 16 pockets to hold the 4" x 9" literature, such as business card, brochure, Map in retail stores or shops.

The spinning design is very convenient for customers viewing the cards or other merchandises in the rack.

There is a sign holder on the top of the wire card display rack to show your signage and branding which is removable.

The countertop spinner display rack takes small footprint saving floor space. The rack is very popular in retail point-of-purchase environment.

Wire Spinning Literature Floor Display

Model NO.: SLS003~ SLS003b

Material: Metal wire

Height: 63"

Width of base: 15"

Pockets: 20

Pocket Depth: 3/4"

Pockets nest to expose 4" of literature above

For 8 1/2" x 11" literature

Color: Black, white, red, green, blue, gray or other colors

Finishing: Powder coating or Chrome

Feature: Waterfall, Spinning design

Style: Floor Display

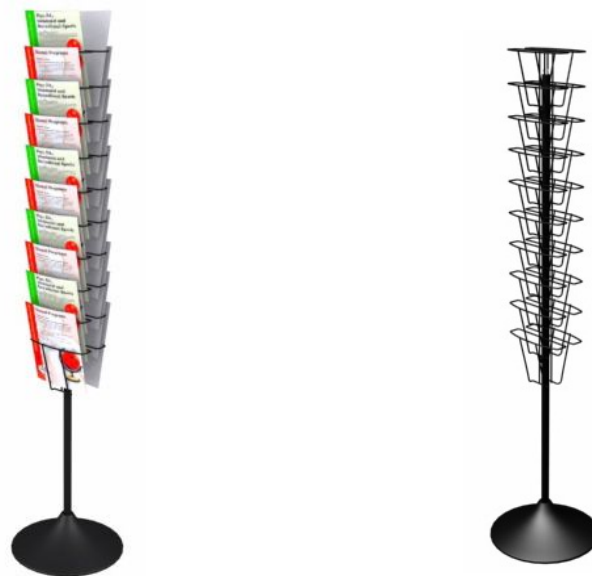
Function: Display Literature and other publication

Small footprint saves space

Wire construction

Easy to assemble

Fit for your needs!



Description:

The Wire Spinning Literature Floor Display is designed especially to display literature and publication including magazines, books, brochures, flyers, business cards, software, advertisers, employment guides, gift cards and other promotional print materials.

With 2-sided design, the waterfall literature display rack has 20 pockets to hold 8 1/2 x 11 literatures in small footprint, which saves much space and delivery costs. The wire floor display work great in trade shows, lobbies and busy office. The display rack will bring value to your business.

The spinning design is very convenient for customers viewing the cards or other merchandises in the rack.

If the literature display you are looking for is not shown on our website, please contact us. Custom-made orders are welcomed.

Wire DVDs CDs Floor Spinner

Model NO.: SLS004

Material: Metal wire

Height: 65"

Spinning Diameter: 23"

Tiers: 6

Pockets: 48

Pocket Size: 5-5/8"W x 9"H x 3" deep

Capacity: Hold up to 192 DVDs

Color: Black, white, red, green, blue, gray or other colors

Powder-coat Finish

Feature: Spinning design

Style: Floor Display

Function: Display DVDs, CDs, Video Games, Software or other literature

Small footprint saves space

Wire construction

Easy to assemble

Fit for your needs!



Description:

Made of metal wire, the Wire DVDs Floor Spinner is built to have 6 tiers, 48 welded wire pockets to hold the DVDs, CDs, Video Games, Software or other literature. The spinning DVD rack has a big capacity of displaying up to 192 DVDs. However, the DVD display rack takes up very small space saving much floor space, which is very popular in DVD or CD stores or other retail point-of-purchase environment.

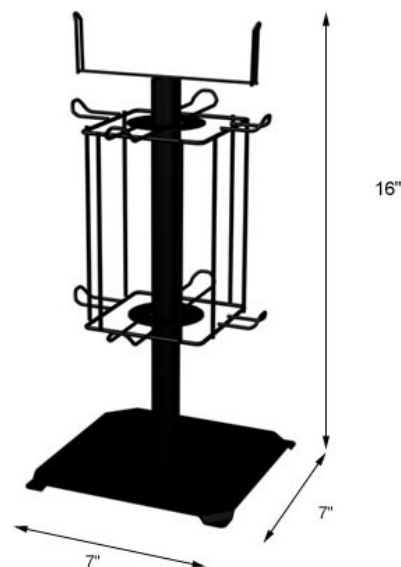
The spinning design is very convenient for customers viewing your DVDs, CDs or other merchandises in the rack.

There is a sign holder on the top of the DVD rack displaying your signage and branding. The floor glides are adjustable.

If the spinning display you are looking for is not shown on our website, please contact us. Custom-made orders are welcomed.

Website: www.displayrackstand.com

Counter Spinner Gift Card Display
Model NO.: SLS005~ SLS005b
Material: Metal wire
Dimensions: 15" H x 7" W x 7"
Hooks: 8
Card Size: 4" x 5 1/4"
Capacity: Hold up to 160 gift cards
Color: Black, white, red, green, blue, gray or other colors
Powder-coat finishing
Feature: Spinning design
Style: Countertop Display
Function: Display gift cards, business cards or other literature
Small footprint saves space
Wire construction
No assembly required
Fit for your needs!



Description:

Designed especially to have 8 facing, the Counter Spinner Gift Card Display can hold up to 160 gift cards, business cards or other literature. Taking up minimal counter space, the spinning card display is very popular in gift card stores and other retail point-of-purchase environment.

The sign holder on the card rack's top can show your signage/branding to your customers. The sign/branding is removable.

Your customers can spin the gift card rack for easy viewing or pick up the gift cards from the rack, which increases your business and keeps your business growing.

If the card spinner you want is not shown on our website, please contact us. We accept Custom-made orders.

Iron Floor Spinner Literature Rack

Model NO.: SLS006

Material: Metal wire

Height: 64"

Spinning Diameter: 16"

Tiers: 4

Pocket: 16

Pocket Deep: 2"

Literature Size: 8-1/2"W x 11"H

Color: Black, white, red, green, blue, gray or other colors

Surface Finishing: Powder coating

Feature: Spinning design

Style: Floor Display

Function: Display literature and publication

Small footprint saves space

Wire construction

Fit for your specific requirements



Description:

The Iron Floor Spinner Literature Rack is designed especially to hold literature and publication, such as books, magazines, brochure, pamphlets, Catalogs, Flyers, DVD's, CD's, Videos, Software or other promotional print materials.

The literature spinning rack has 4 tiers, 16 welded wire pockets to hold 8-1/2"W x 11"H literature. All tiers are spinning which makes your customers easily browse through your literature or pick up the literature from the floor spinner. The spinning literature rack will be helpful for your business.

The sign holder on the card rack's top can show your signage/branding to your customers. The sign/branding is removable.

Usually the wire literature display is in black color, if you want white, red, blue, green, gray or any other colors, please let us know. The surface of the literature display rack is powder coating finished.

Floor Spinner Gift Card Display

Model NO.: SLS007

Material: Metal wire

Dimensions: 54" H x 15" W x 15"

Hooks: 60

Capacity: hold up to 1200 gift cards

Card size: 4" x 5 1/4"

Color: Black, white, red, green, blue, gray or other colors

Surface Finishing: Powder coating

Includes sign holder

Feature: Spinning design

Style: Floor Display

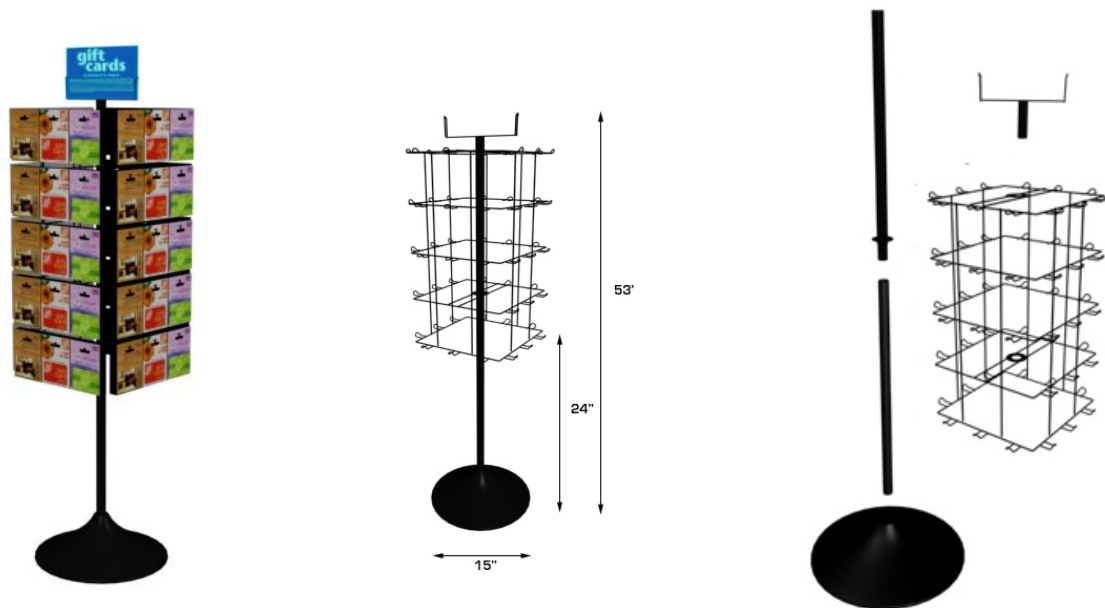
Function: Display gift cards, business cards or other 4" x 5 1/4" literature

Small footprint saves space

Wire construction

Easy to assemble

Fit for your specific requirements



Description:

Made of metal wire, the Floor Spinner Gift Card Display is built to have 60 facing to hold up to 1200 gift cards, business cards or other literature sized 4" x 5 1/4". The wire gift card display gives a good hand for your card business in busy retail environments.

On the top of the wire spinning card rack, there is a sign holder to show your signage/branding to your customers. The spinning design is easy for your customers browsing the gift cards and pick up the cards they want from the wire display rack, which bring great value to your business.

The card display is easy to assemble. If you need display assembly diagram, please contact us.

Website: www.displayrackstand.com

Wire Countertop Postcard Display Rack

Model NO.: SLS008

Material: Metal wire

Height: 25"

Spinning Diameter: 12"

Pockets: 20

Pocket Deep: 1-1/2"

Capacity: up to 100 cards

Postcard Size: 4"H x 6"W

Color: Black, white, red, green, blue, gray or other colors

Surface: Powder-coat finish

Sign holder included

Feature: Spinning design

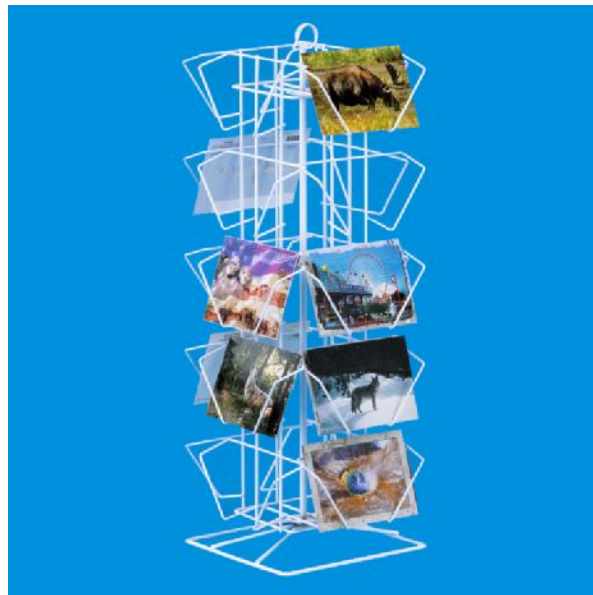
Style: Counter Display

Function: Display postcard, gift cards, business cards or other 4"H x 6"W literature

Small footprint saves space

Wire construction

Fit for your specific requirements



Description:

Made of metal, the Wire Countertop Postcard Display Rack is designed especially to hold postcard, gift cards, business cards or other 4"H x 6"W literature. This countertop card display has 20 welded wire pockets which are able to display up to 100 postcards.

Customers can spin the counter display to browse and choose the postcard they want. The spinning design brings value to your business and keeps your business growing.

The counter postcard rack has a sign holder on the top to display your signage or branding to your customers. The surface of the card display is powder-coat finished.

Floor Stand Revolving Magazine Rack

Model NO.: SLS009

Material: Metal wire

Overall Dimensions: 70" H x 20" Base Dia.

Tiers: 3

Literature Display Holder: 24

Literature Holders Dimensions: 8 1/2"W x 11"H

Magazine Size: 8 1/2" x 11"

Capacity of each pocket: hold 8~12 magazines

Sign Channel Included

Color: White, Black, Red, Blue, Brown, Gray or other colors.

Surface Finishing: Powder coating

Feature: Revolving design

Style: Floor Stand Display

Metal wire construction

Function: Display literature, such as magazines, books, flyers, brochure, pamphlets, periodicals,

Catalogs DVD's, CD's, Videos, Software or other promotional print materials.

Accept Custom-made display orders



Description:

The Floor Stand Revolving Magazine Rack is useful storage for literature and publication including magazines, books, flyers, brochure, pamphlets, periodicals, Catalogs DVD's, CD's, Videos, Software or other promotional print materials.

Designed to have 3 tiers, 24 literature holders, the revolving display rack can hold up to 288 magazines. Each welded wire pocket can display 8~12 magazines. The wire magazine display takes minimal space saving much space in busy office, storefronts and information centers.

Customers or visitors can browse and flip through the literature easily by revolving the magazine display rack. A top sign holder can show your signage and branding.

Website: www.displayrackstand.com

Desk Top Revolving DVD Display

Model NO.: SLS010

Material: Metal wire

Dimensions: 31"H x 15"Base

Tiers: 3

Tier Depth: 4"

Pockets: 24

Capacity: 96 DVD's or Video Games

Sign Display Included

Color: White, Black, Red, Blue, Brown, Gray or other colors.

Surface Finishing: Powder coating

Feature: Revolving design

Style: Desk Top Display

Metal wire construction

Function: Display DVD's, CD's, Videos, Software, etc.

Accept Custom-made display orders



Description:

Made from heavy gauge wire and tubing, the Desk Top Revolving DVD Display is sturdy and durable to hold DVD's, CD's, Videos, Software and other literature.

This wire DVD display is built to have 3 tiers, 24 welded wire pockets which can hold up to 96 DVD's or Video Games in small footprint saving much floor space in DVD stores or other retail POP shops.

The revolving DVD rack makes customers easily browse and choose the DVDs they want, which is good for your business. The wire literature display includes a sign holder on the top.

If the DVD display rack you are looking for is not on our website, please contact us. We are pleased to make customized display for you, superior quality workmanship, unconditional guarantee and commitment to customer satisfaction.

Website: www.displayrackstand.com

Revolving Mobile Magazine Display Rack

Model NO.: SLS011

Material: Metal wire

Overall Dimensions: 57" H x 19" Dia.

Side: 3

Holders per side: 9

Literature Display Holder: 27

Holder Dimensions: 9 1/2"H x 9 1/4"W

Literature Size: 8 1/2" x 11"

Sign Channel Included

Color: White, Black, Red, Blue, Brown, Gray or other colors.

Surface Finishing: Powder coating

Feature: Revolving, Mobile, 3 sided

Style: Floor Display

Metal wire construction

Function: Display literature and publication

Accept Customized displays.



Description:

Made of metal wire, the Revolving Mobile Magazine Display Rack is built to display literature and publication including magazines, books, flyers, brochure, pamphlets, periodicals, Catalogs DVD's, CD's, Videos, Software or other promotional print materials.

With 3 sided designed, the wire floor literature display has totally 27 welded wire pockets to hold the literature, publication and other 8 1/2" x 11" information.

There are five 2" Plastic Casters on the bottom of the floor stand display which makes the magazine rack quickly move to anywhere. Customers can browse and choose the literature or magazines they want very easily by revolving the magazine display rack. There is a top sign holder included.

Website: www.displayrackstand.com

Floor Stand Revolving Literature Rack
Model NO.: SLS012
Material: Metal wire
Overall Dimensions: 63" H x 18" Base Dia.
Tiers: 4
Holders per Tier: 4
Literature Display Holder: 16 totally
Holder Dimensions: 8 1/2"W x 11"H
Literature Size: 8 1/2" x 11"
Sign Channel Included
Sign Print Dimensions 4"W x 46 3/4"L
Surface Finishing: Powder coating
Feature: Revolving
Style: Floor Display
Metal wire construction
Function: Display literature and publication
Accept Customized displays.
Color: White, Black, Red, Blue, Brown, Gray or other colors.



Compact Design with Heavy Duty Base, the Floor Stand Revolving Literature Rack has 4 tiers, 16 welded wire pockets to hold the literature and publication, such as magazines, books, brochures, flyers, pamphlets, periodicals, Catalogs DVD's, CD's, Videos, Software and other 8 1/2" x 11" information

Four tiers are independently spinning which make the customers easily browse and pick up the literature or magazines from the wire magazine display rack.

There is a round sign holder made of metal on the top of the revolving magazine rack to show your signage or branding 360 degree to your customers.

If the literature display rack you are looking for is not on our website, please contact us. We are pleased to make customized display for you, superior quality workmanship, unconditional guarantee and commitment to customer satisfaction.



Coolville Display Co., LTD

Add: NO.17, North District, Lingdou,
Xiamen, China 361009

Tel: 86-592-5190736

Fax: 86-592-3778680

Website: www.displayrackstand.com

Email: info@displayrackstand.com

Website: www.displayrackstand.com